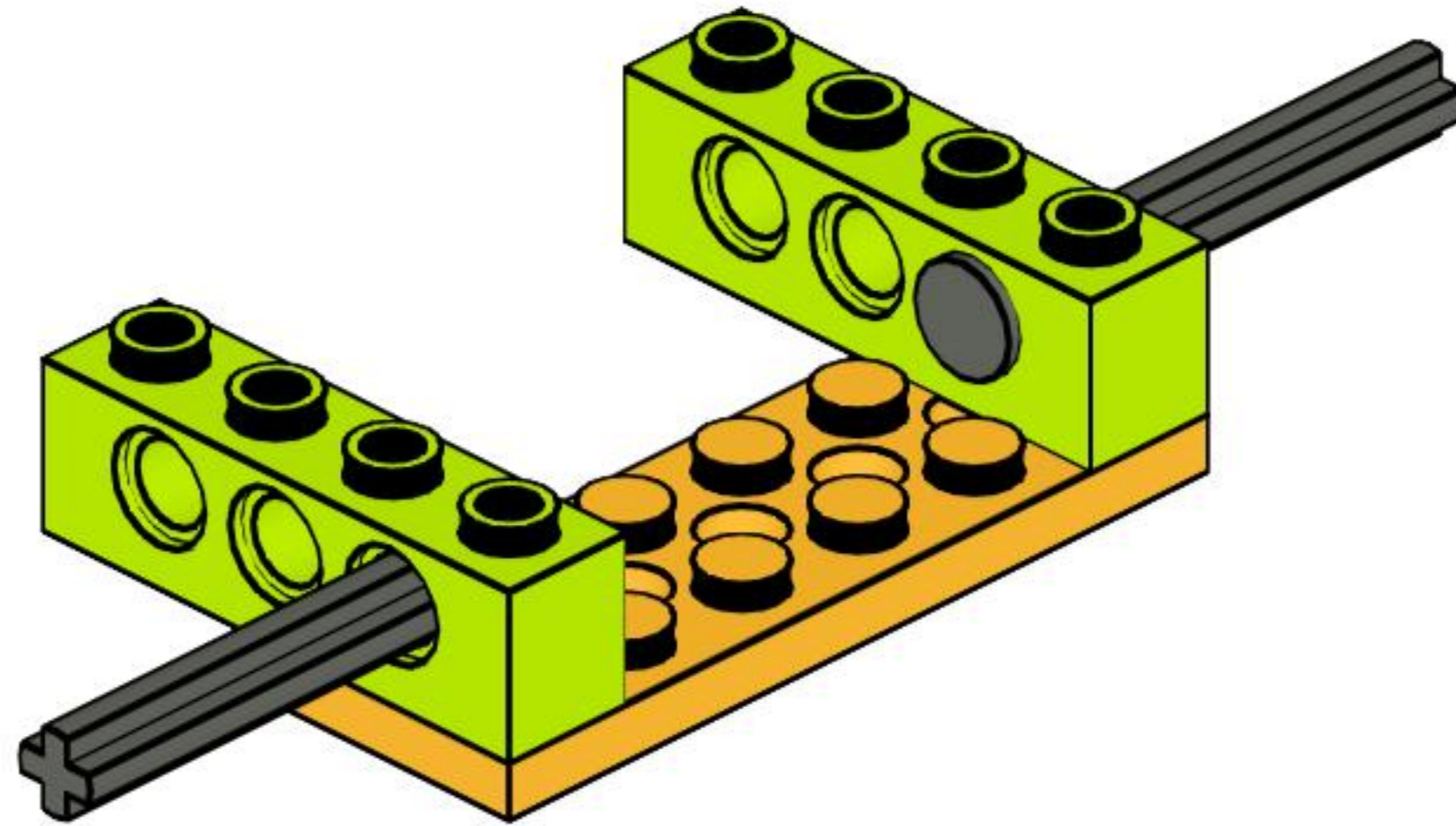
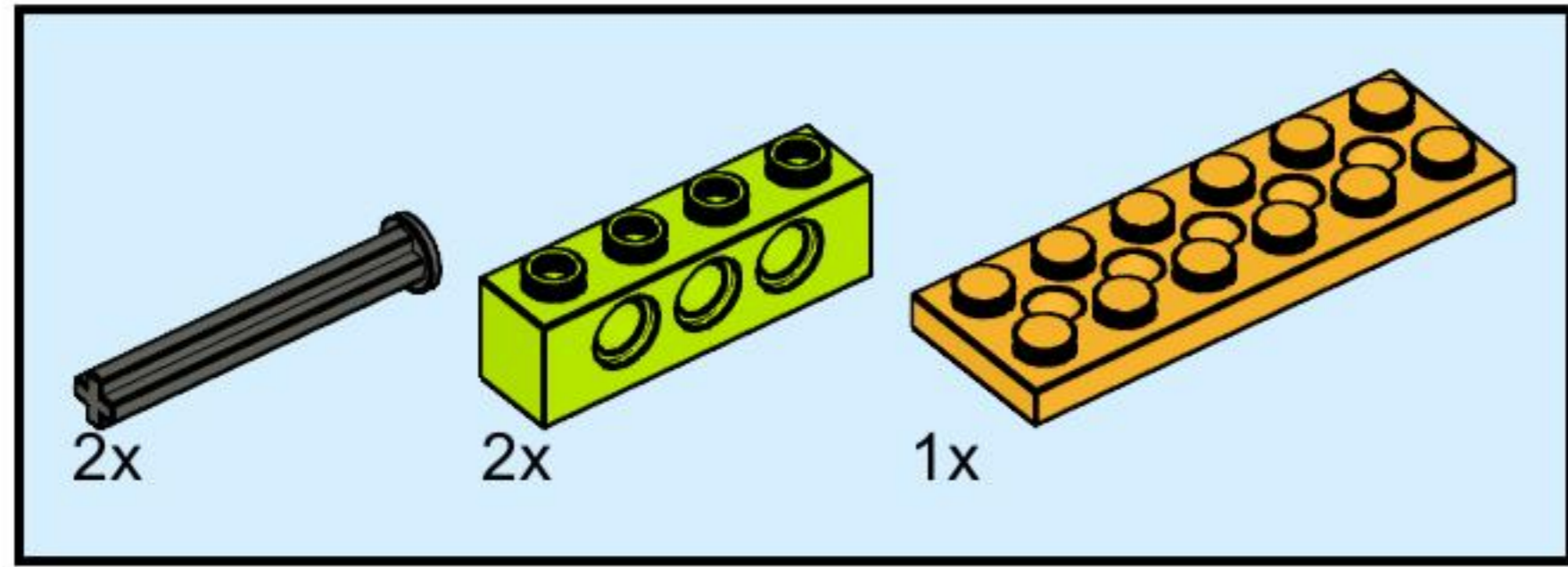


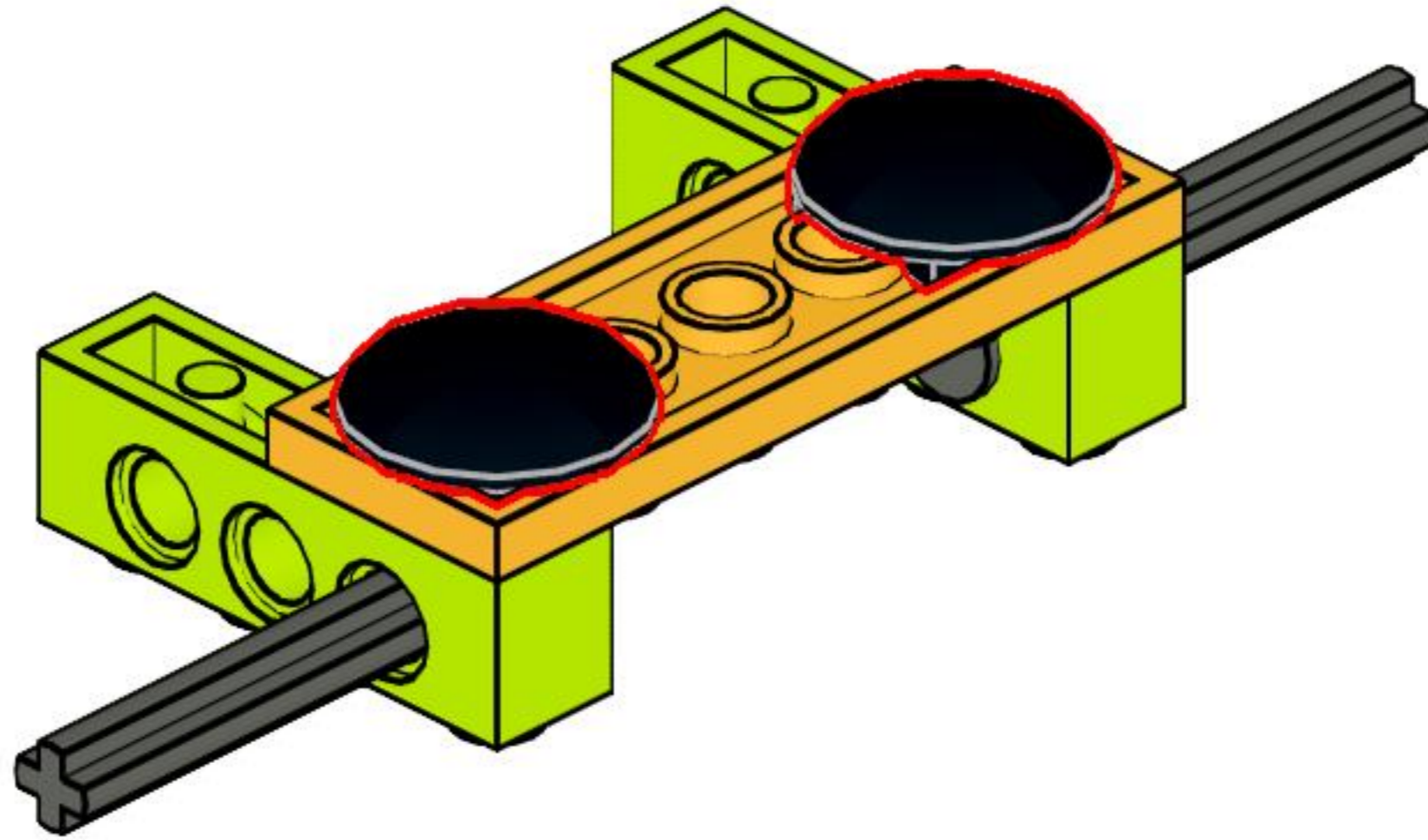


# Motorcycle with direction and obstacle sensor

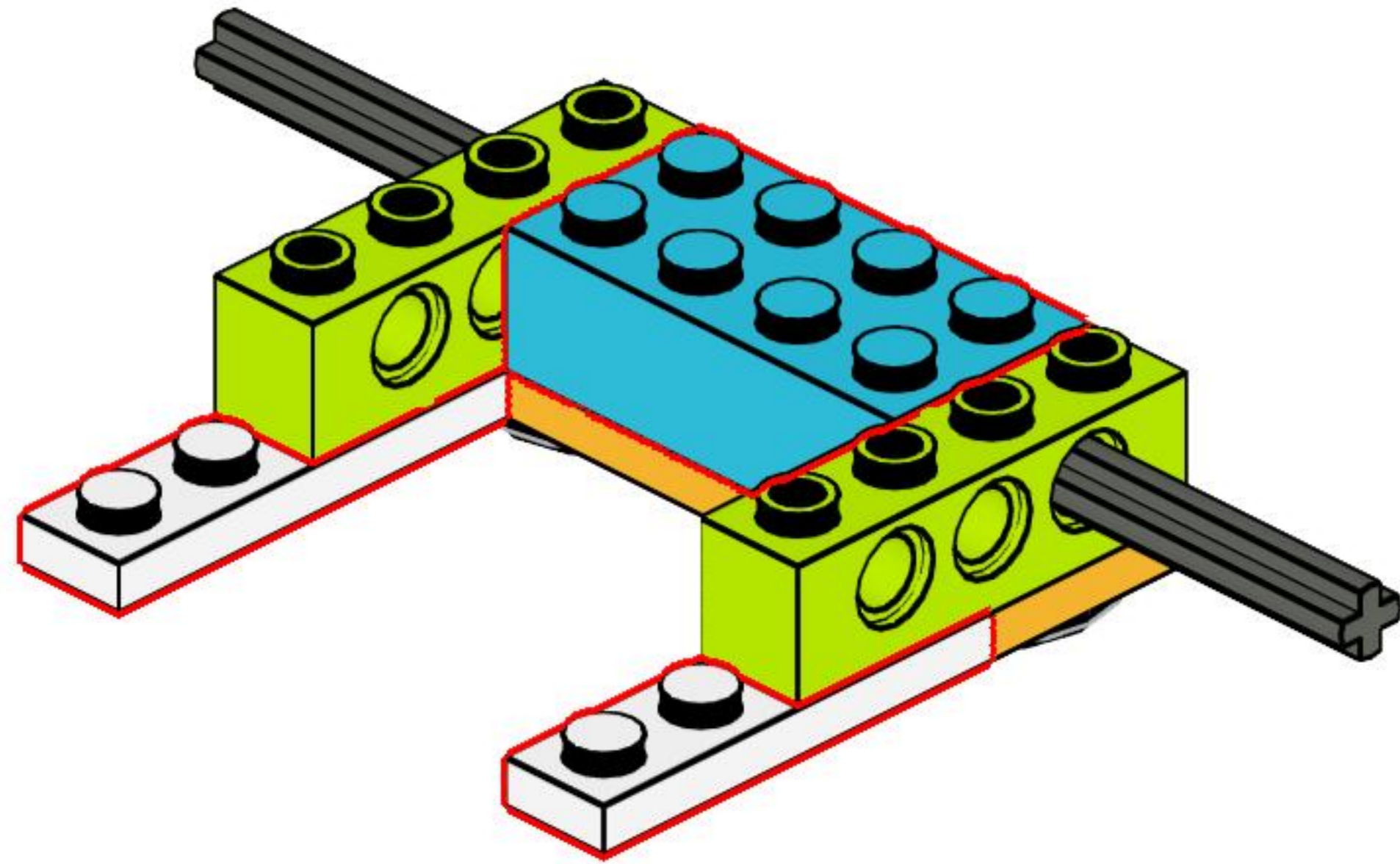
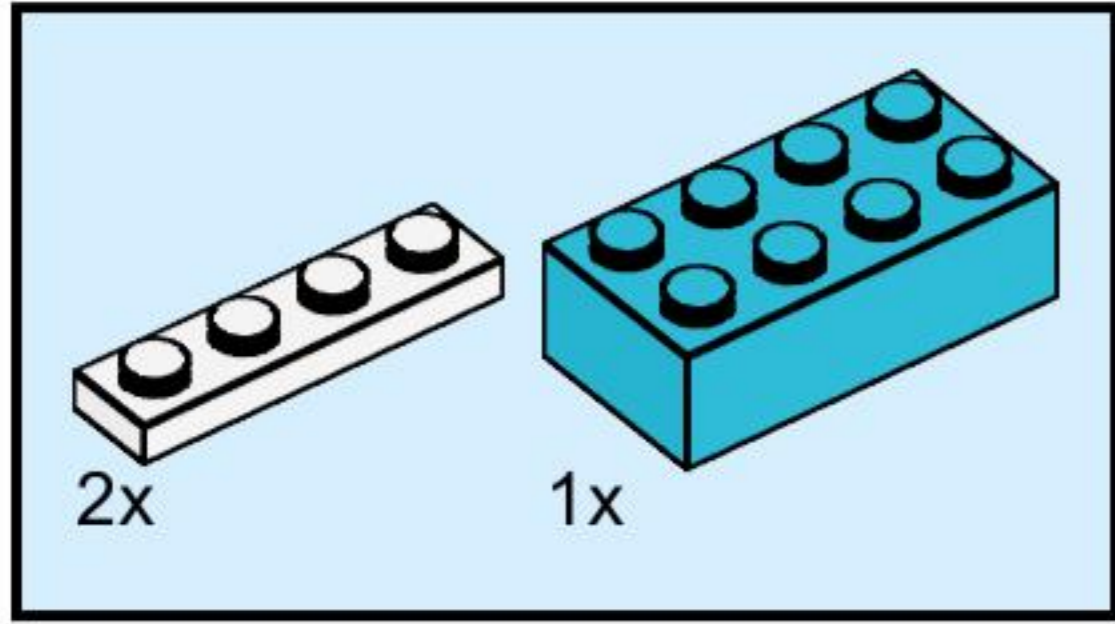
1



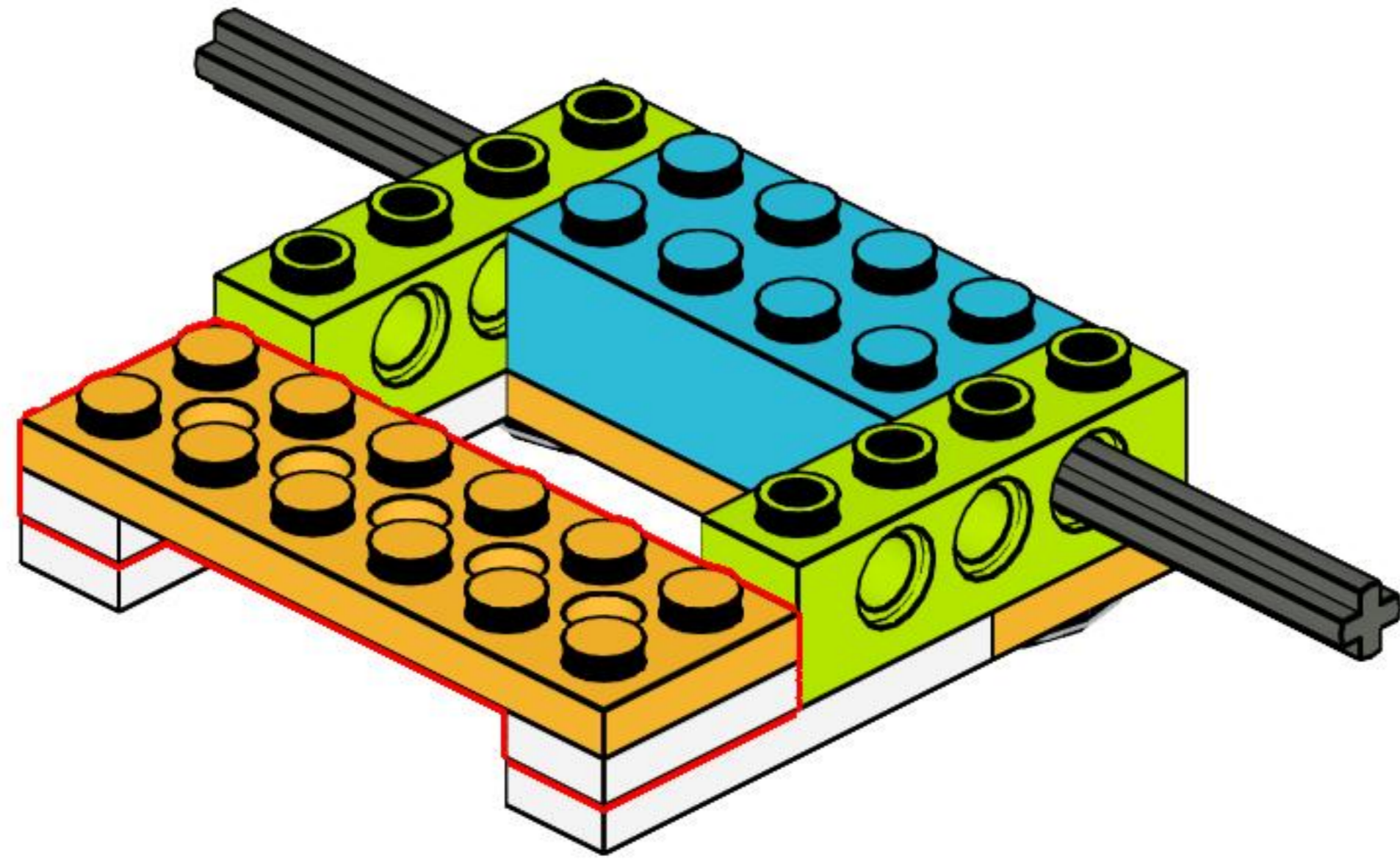
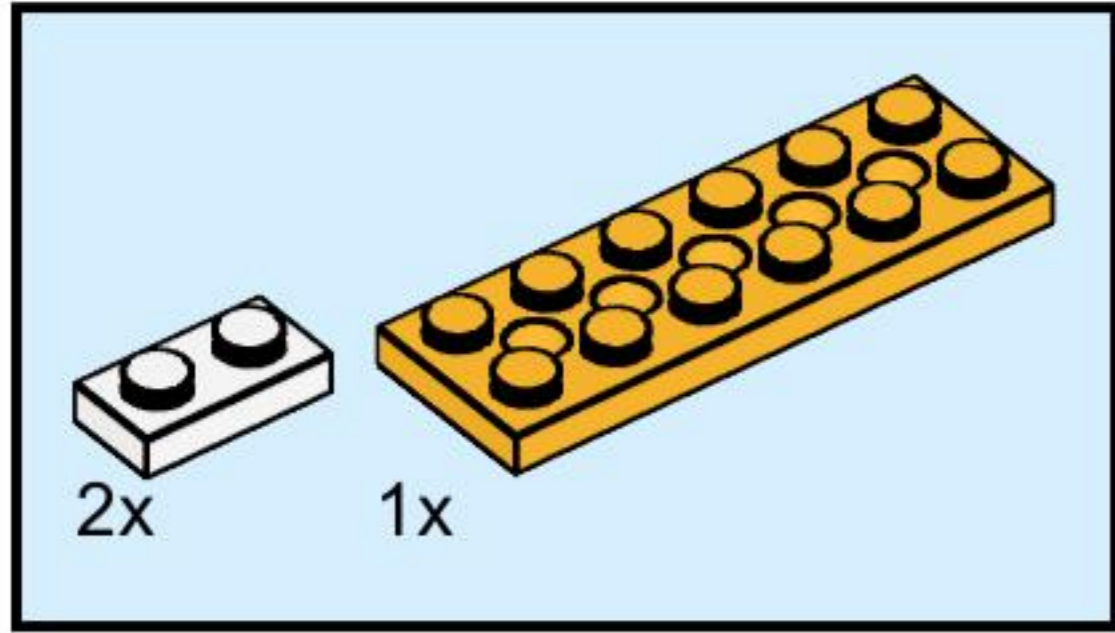
2



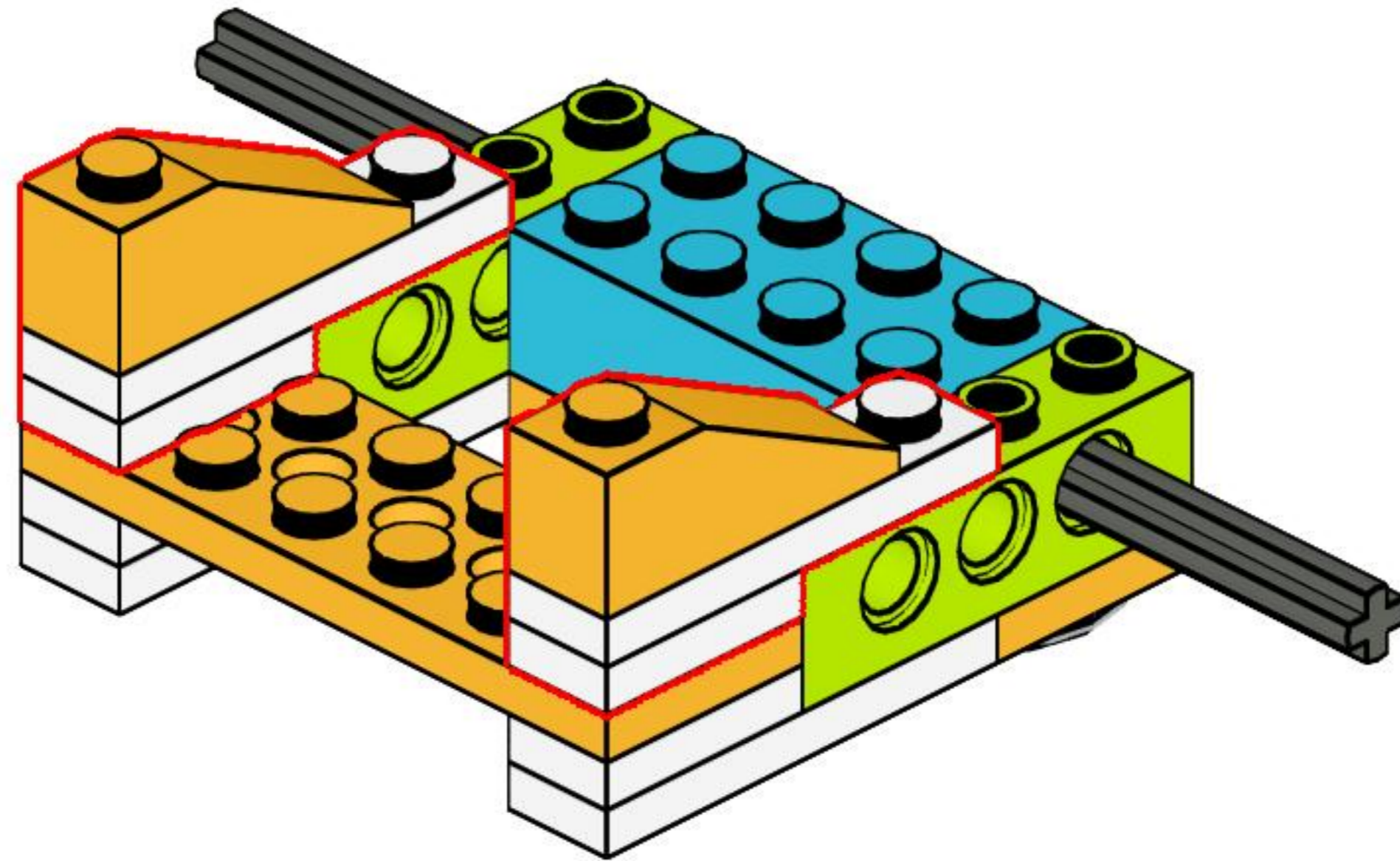
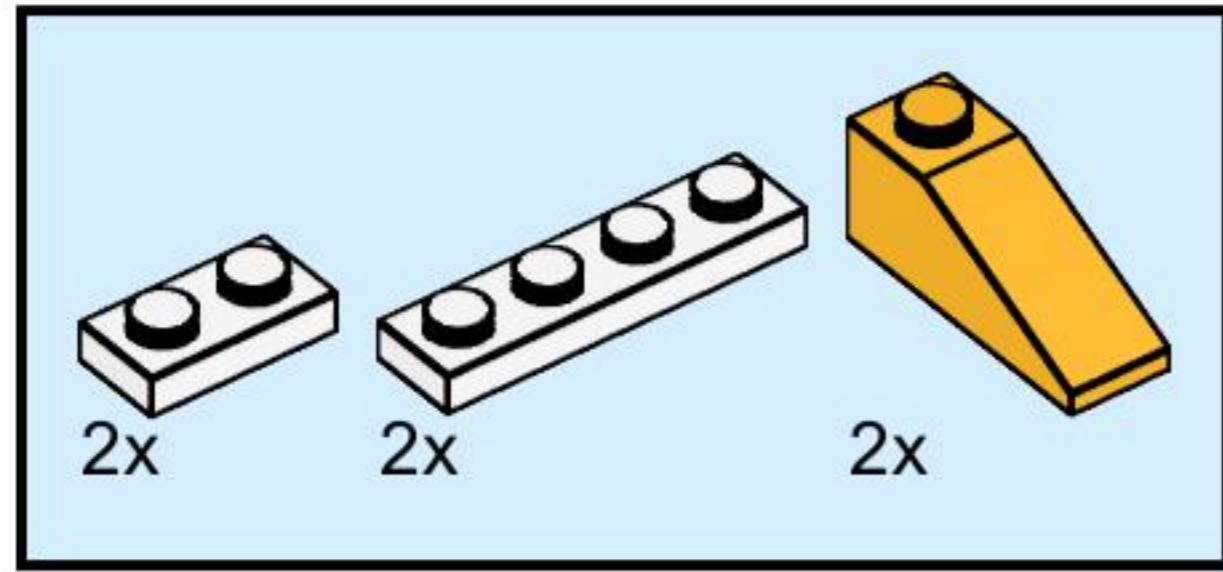
3



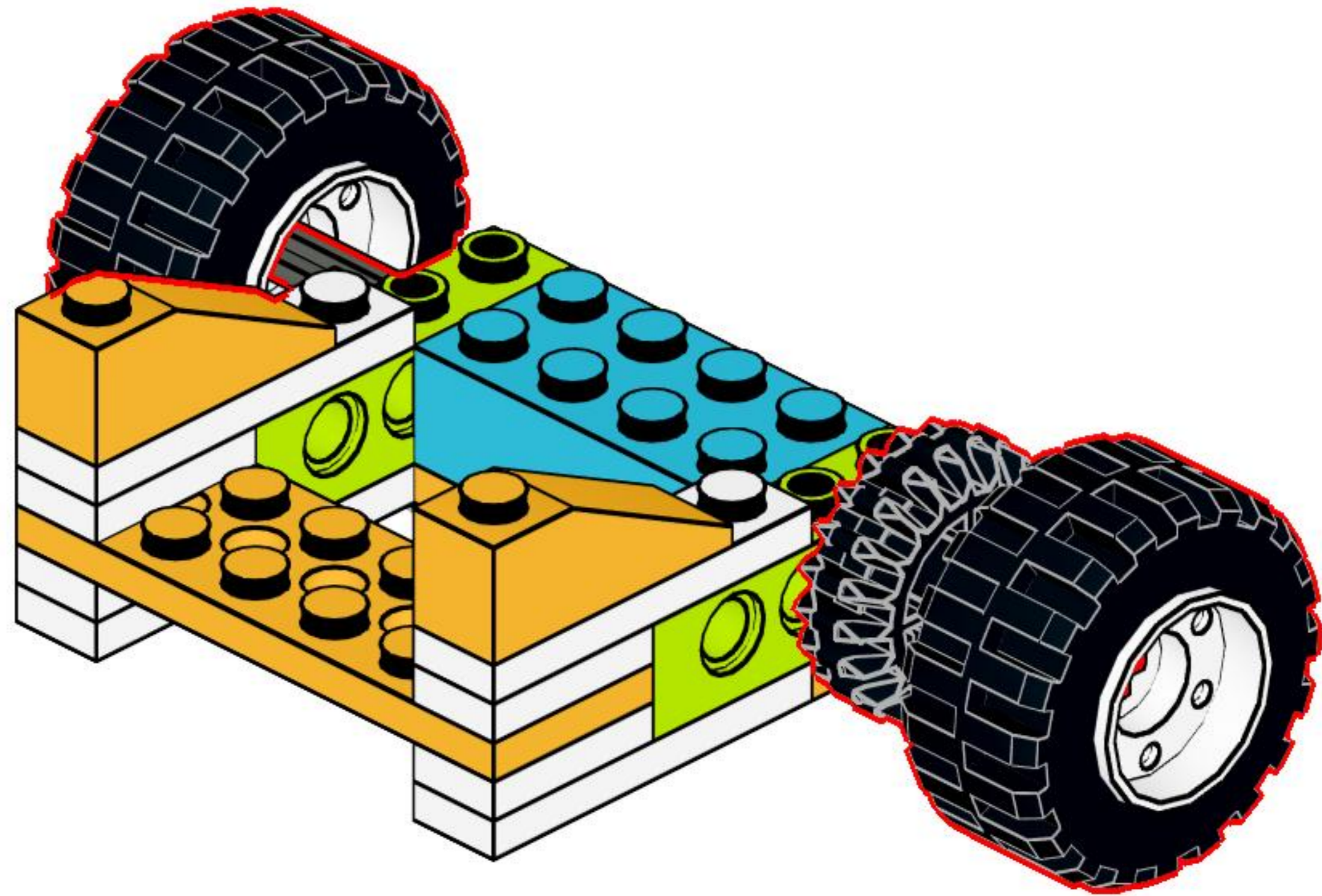
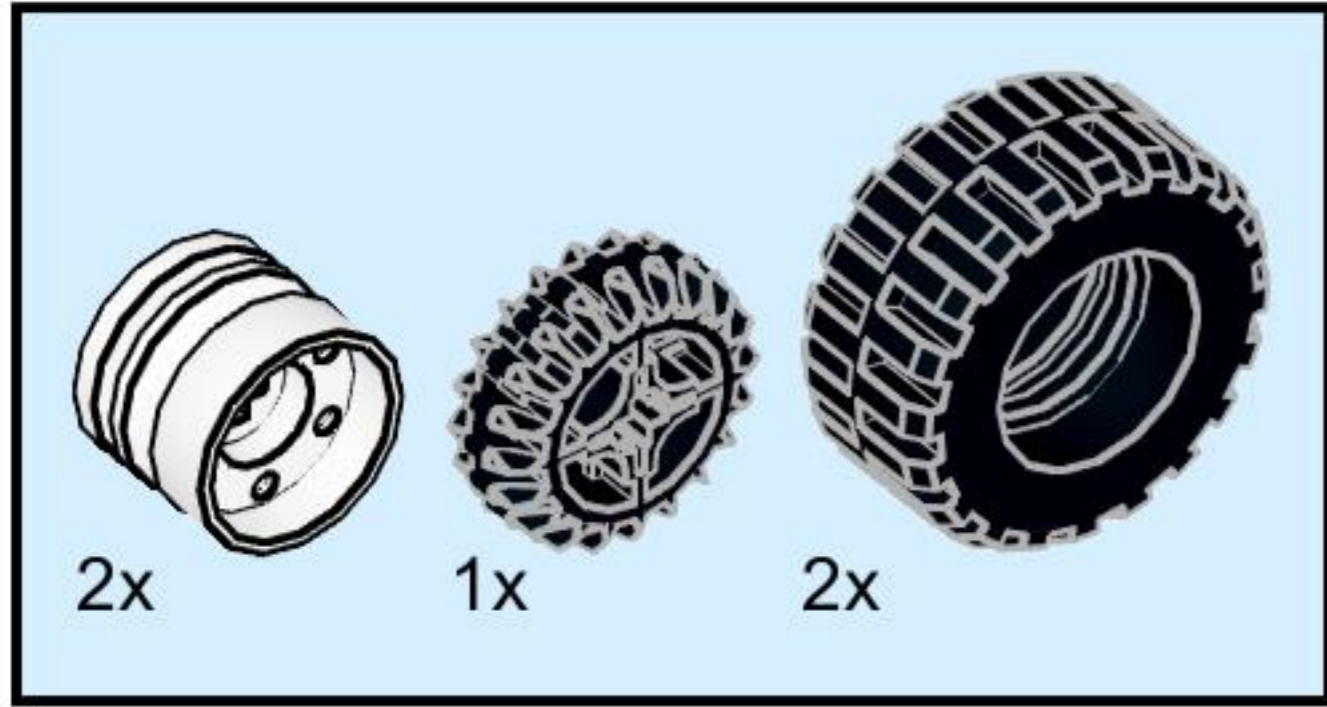
4



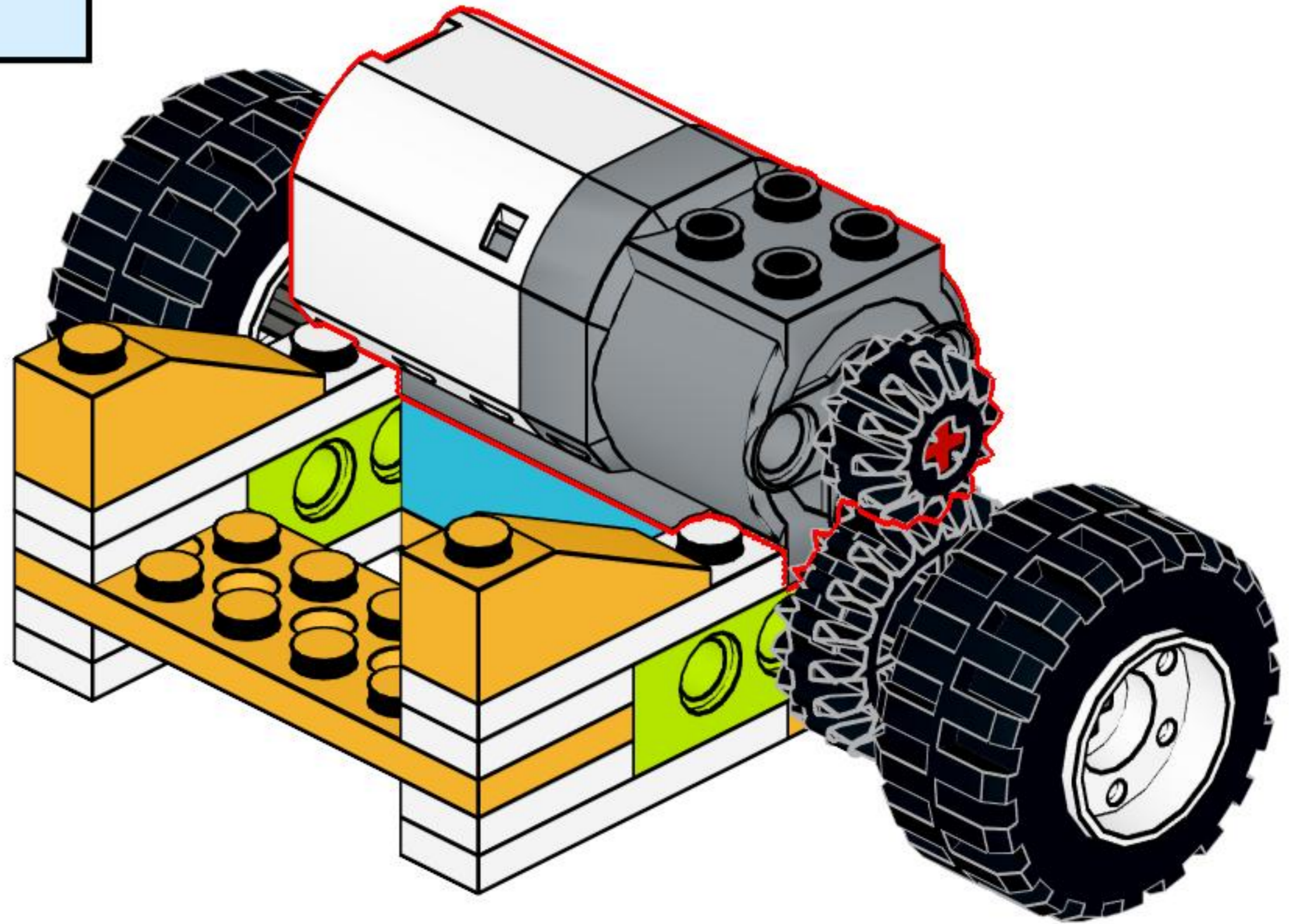
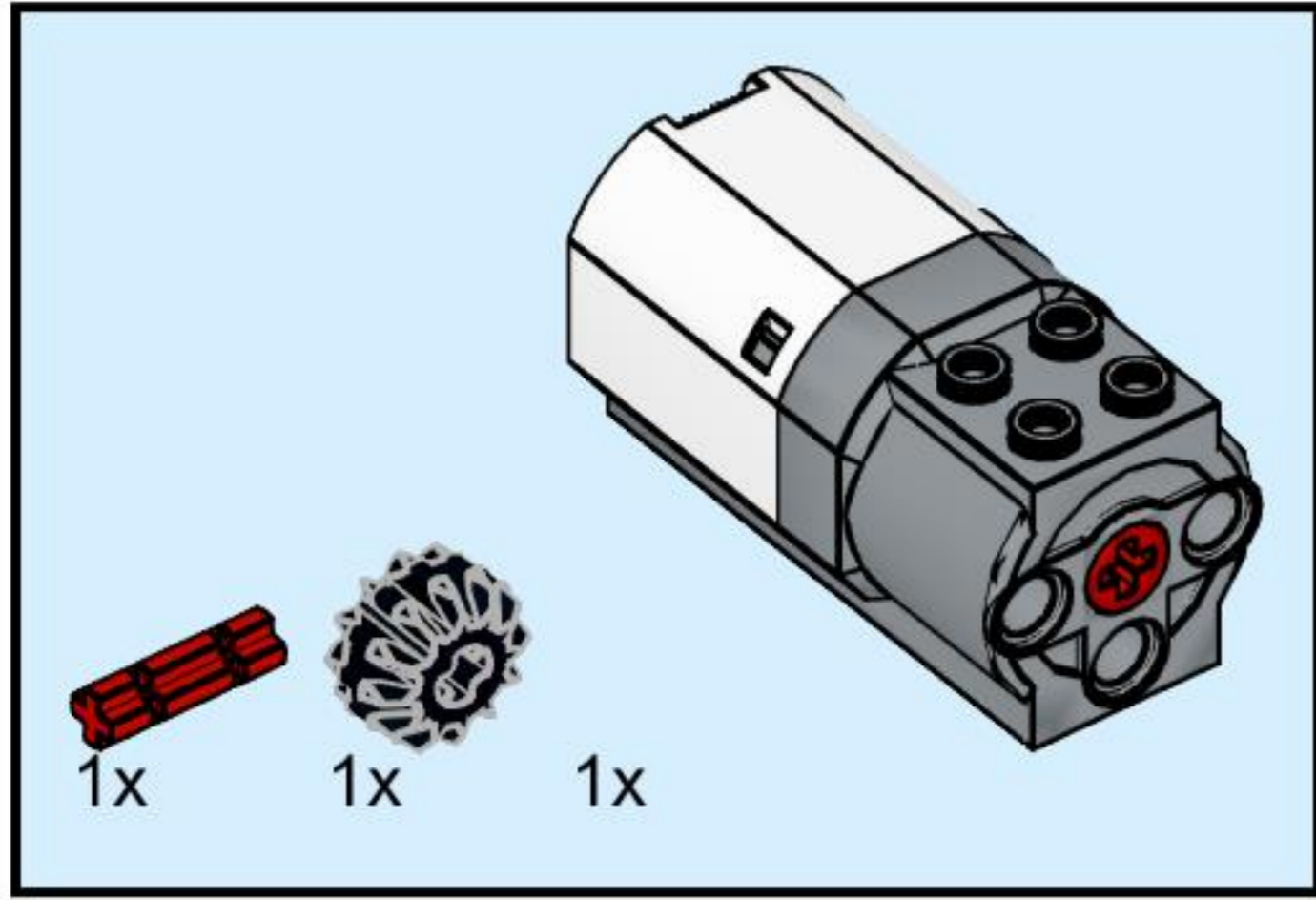
# 5



6

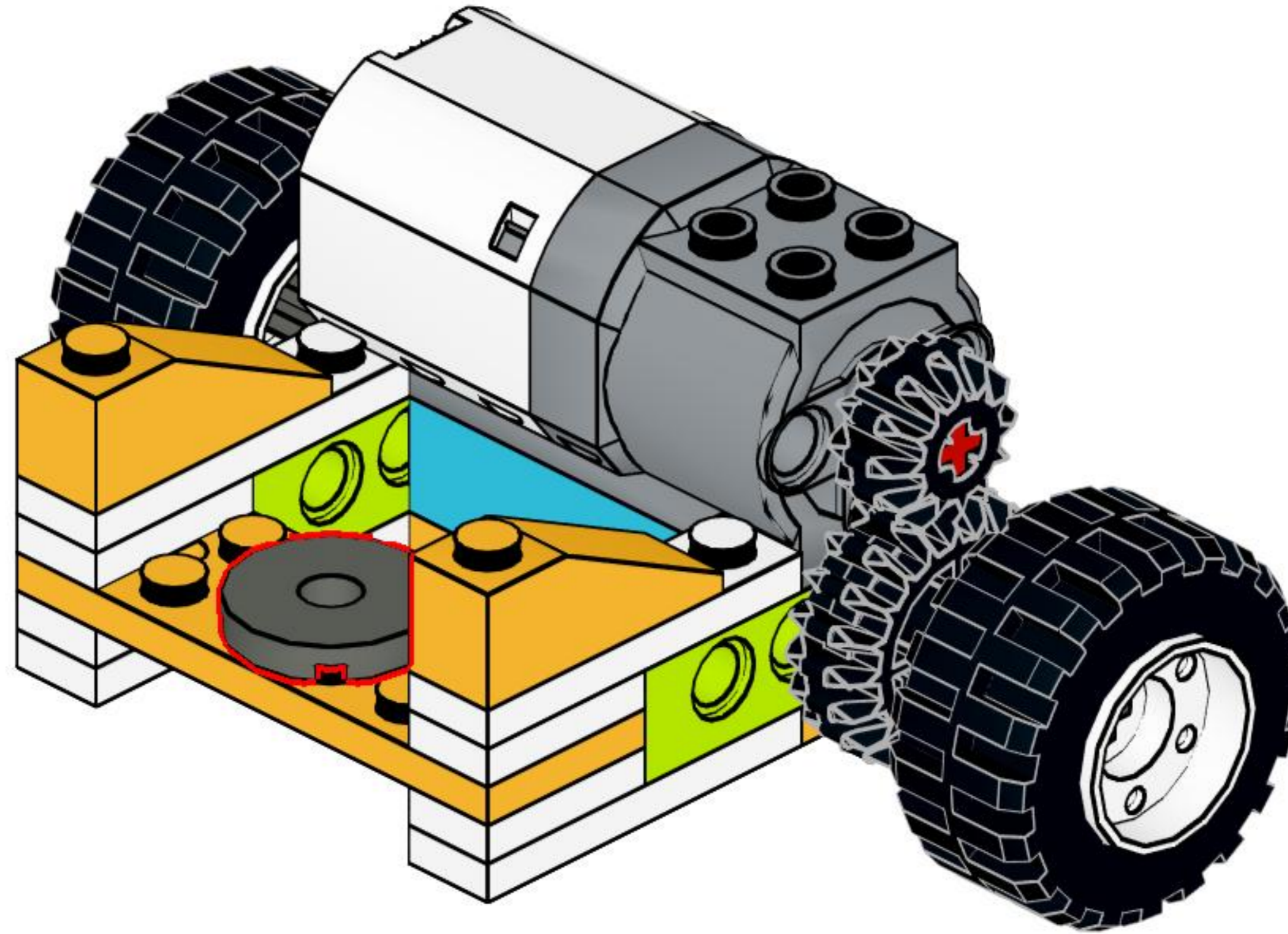
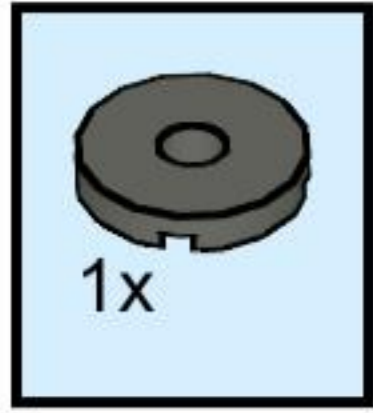


7

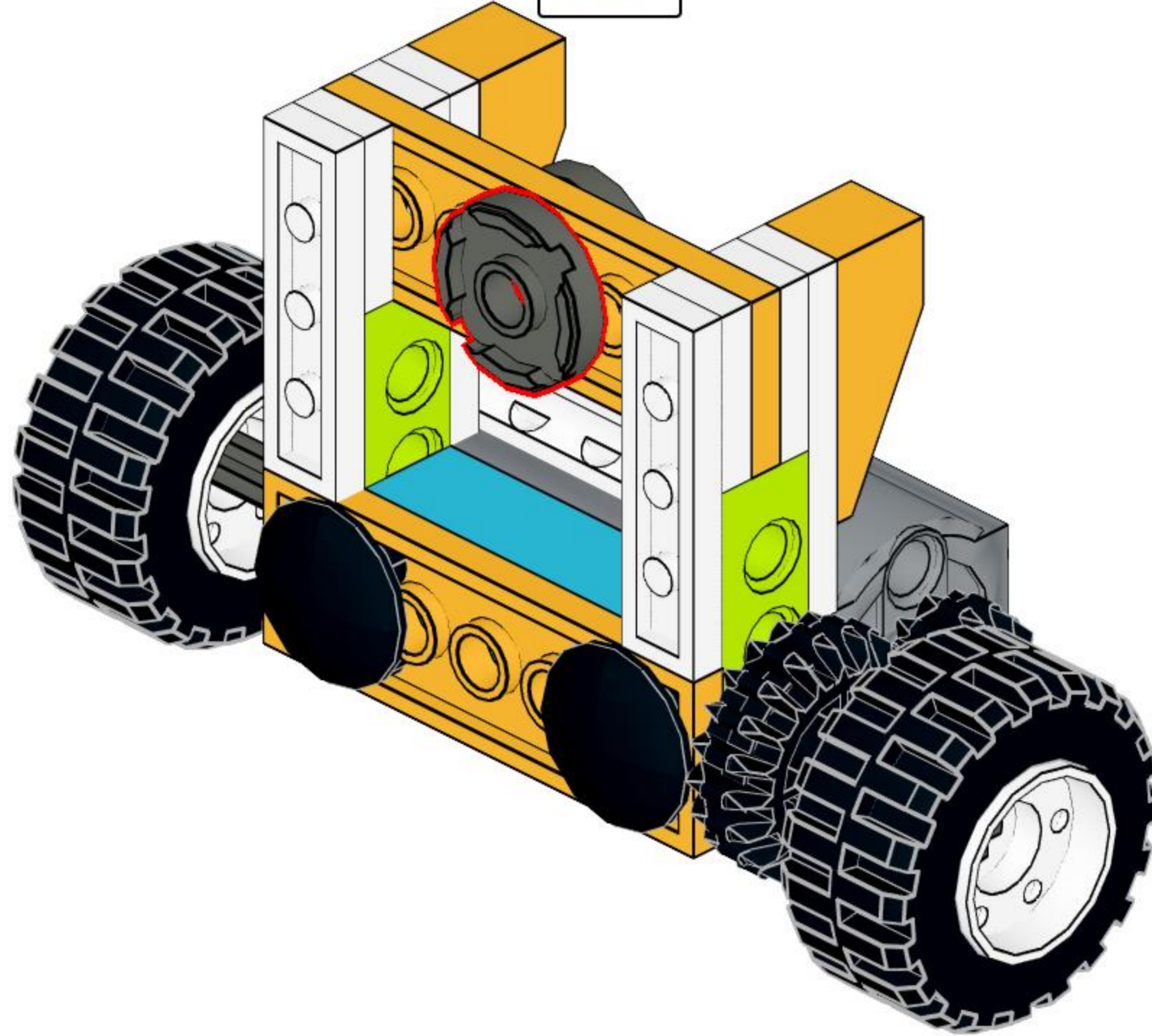
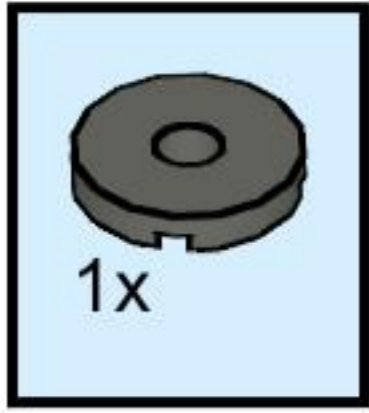




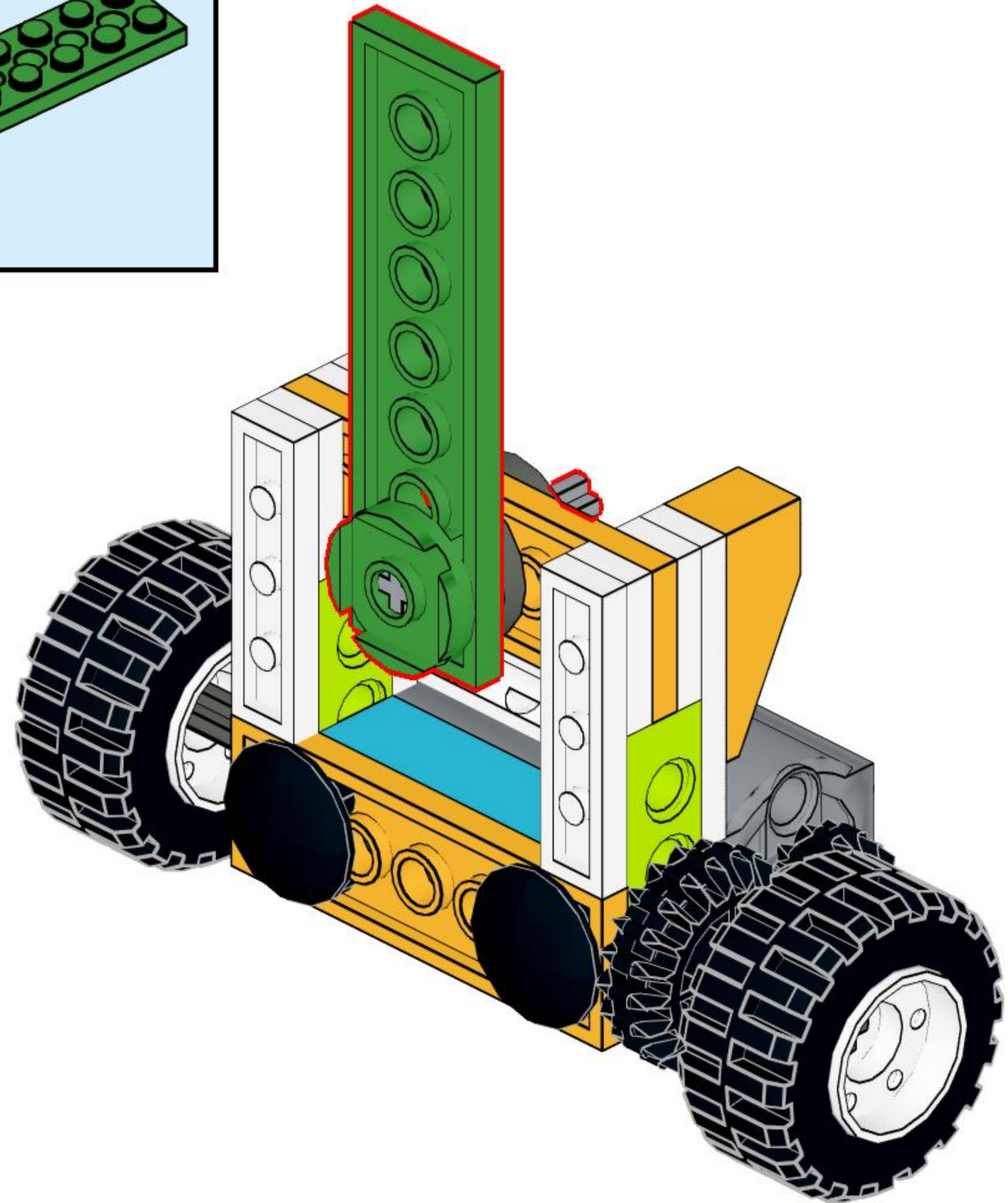
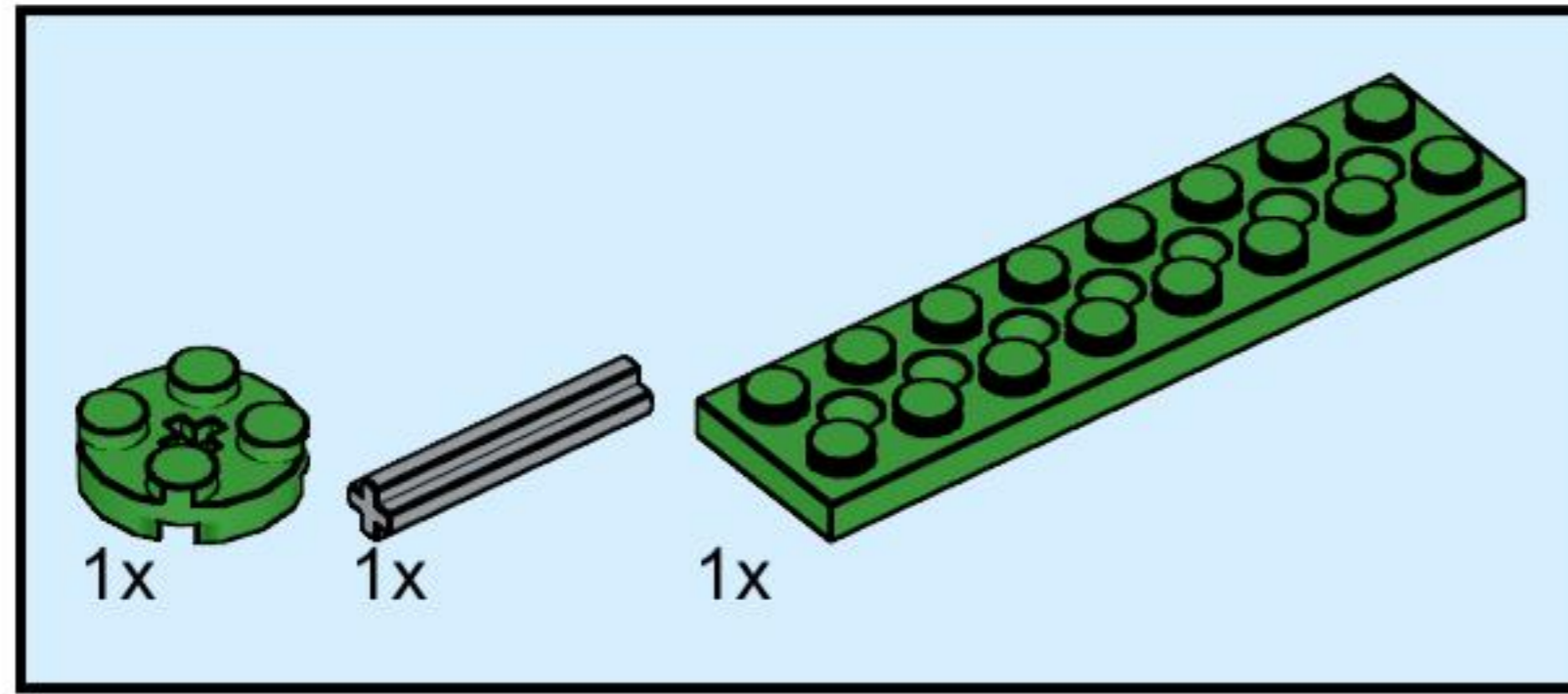
8



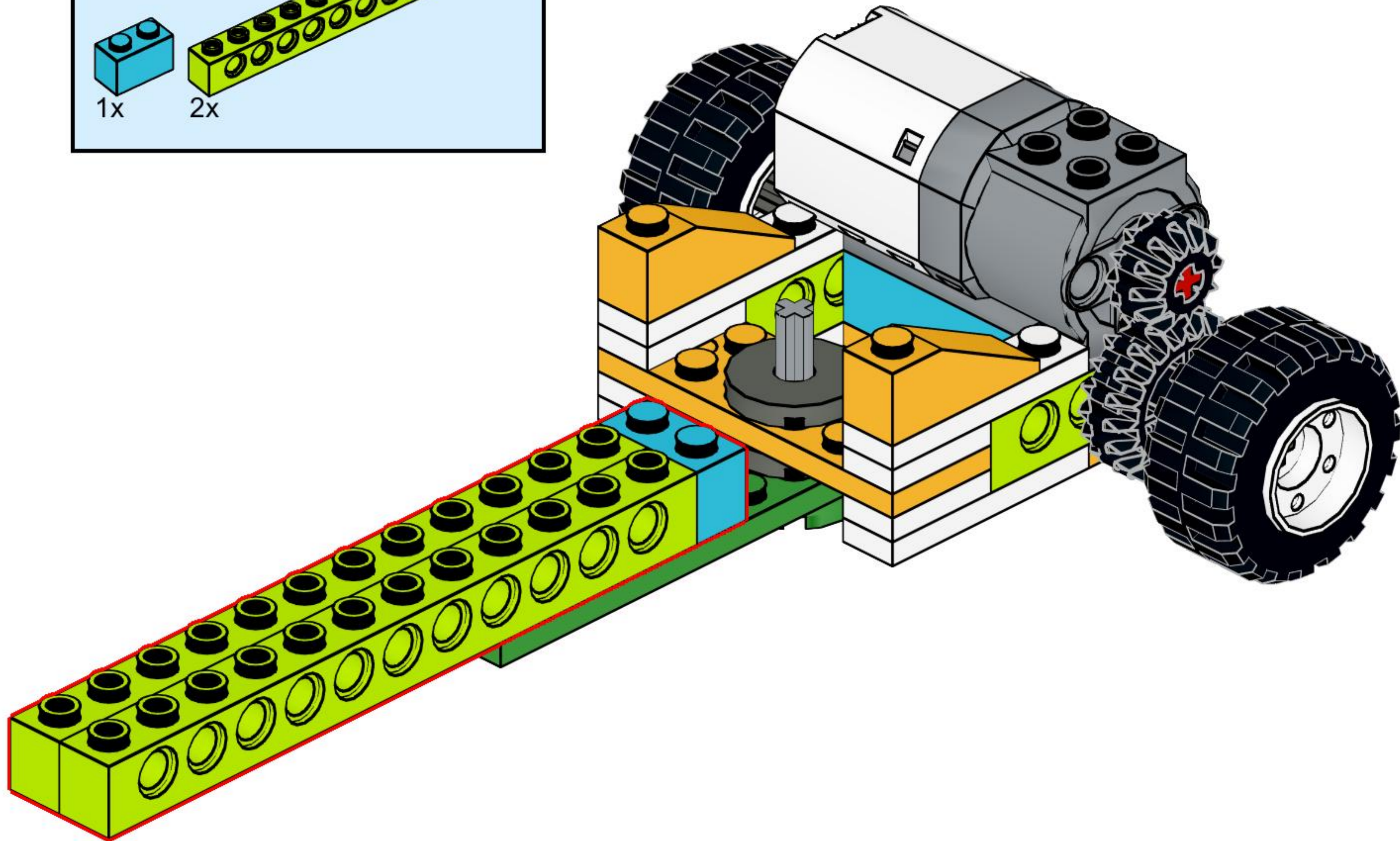
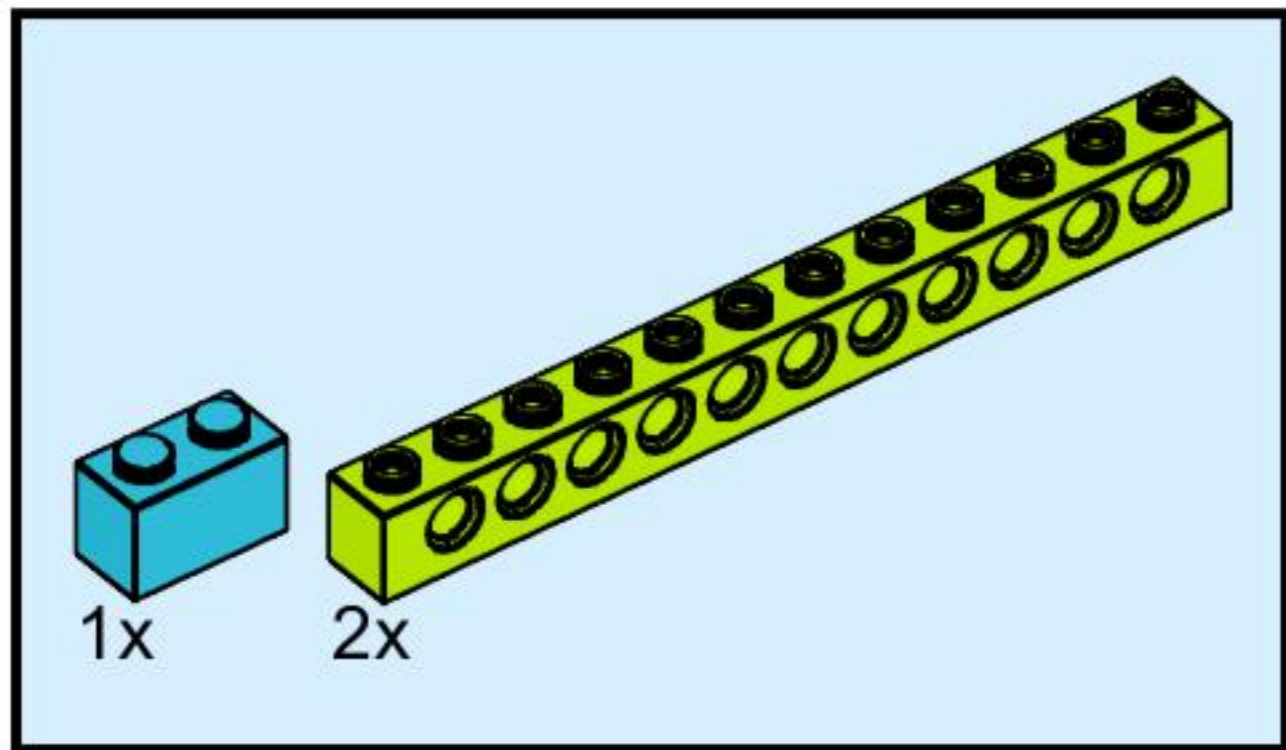
9



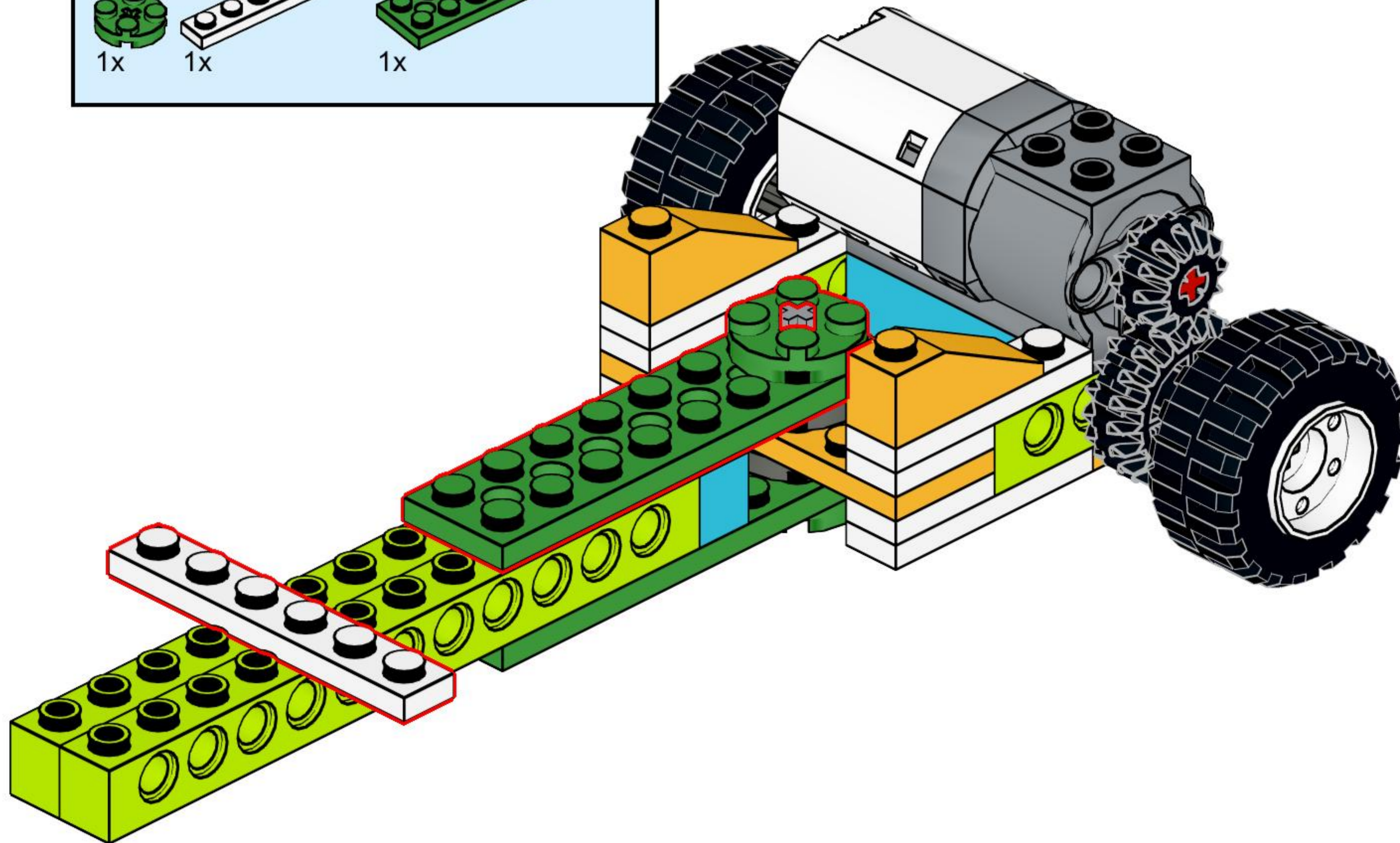
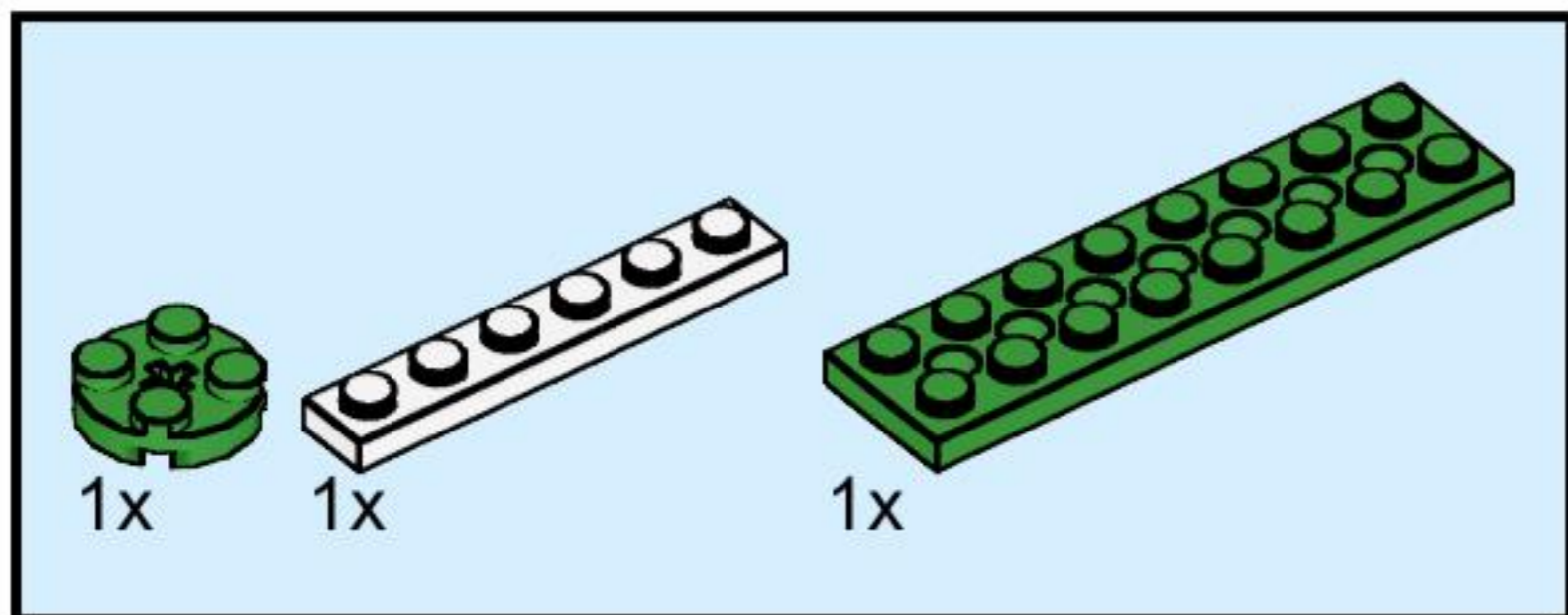
# 10



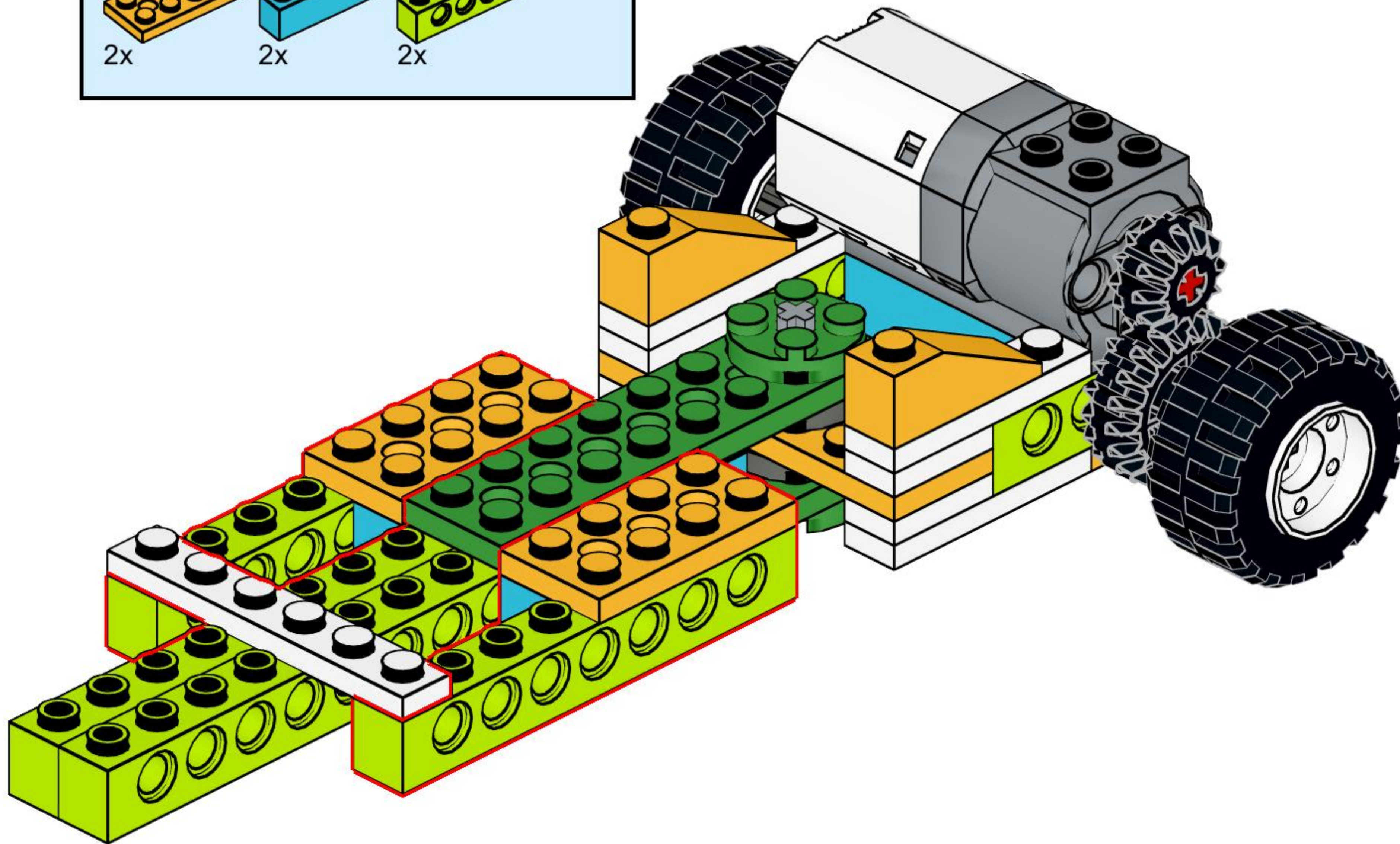
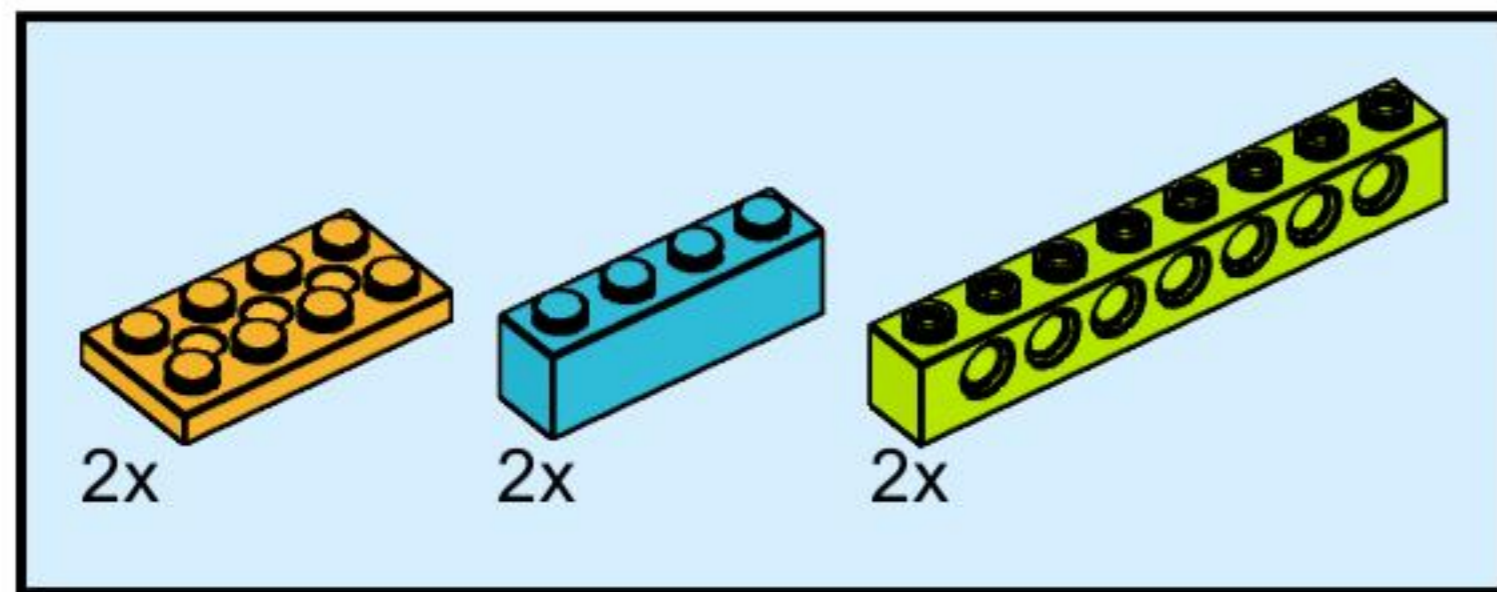
# 11



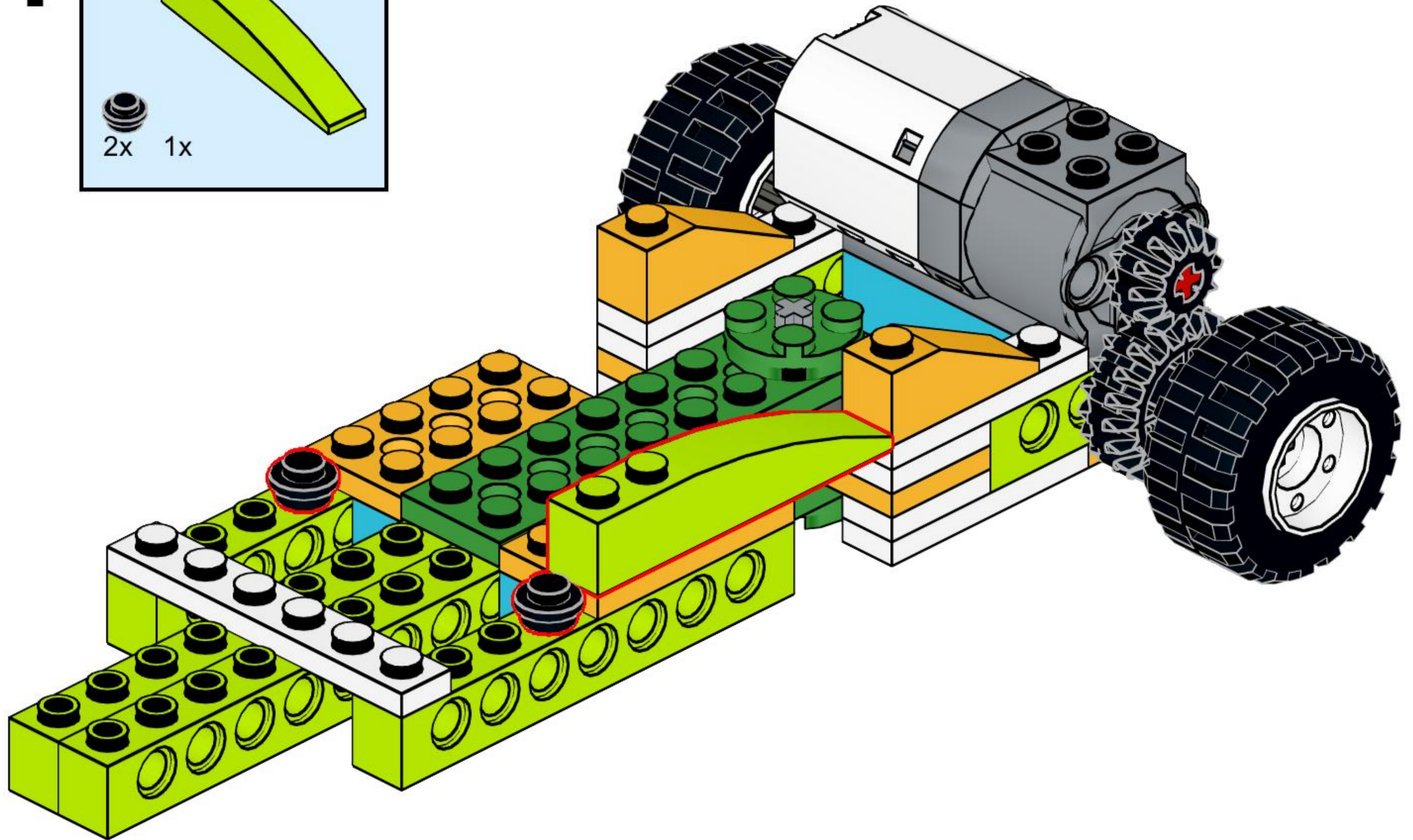
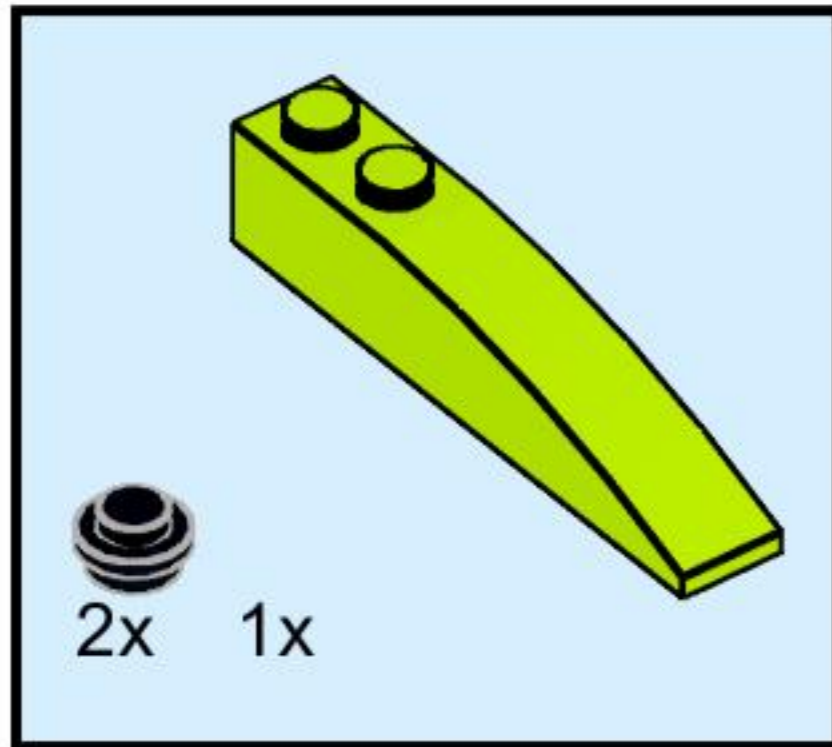
# 12



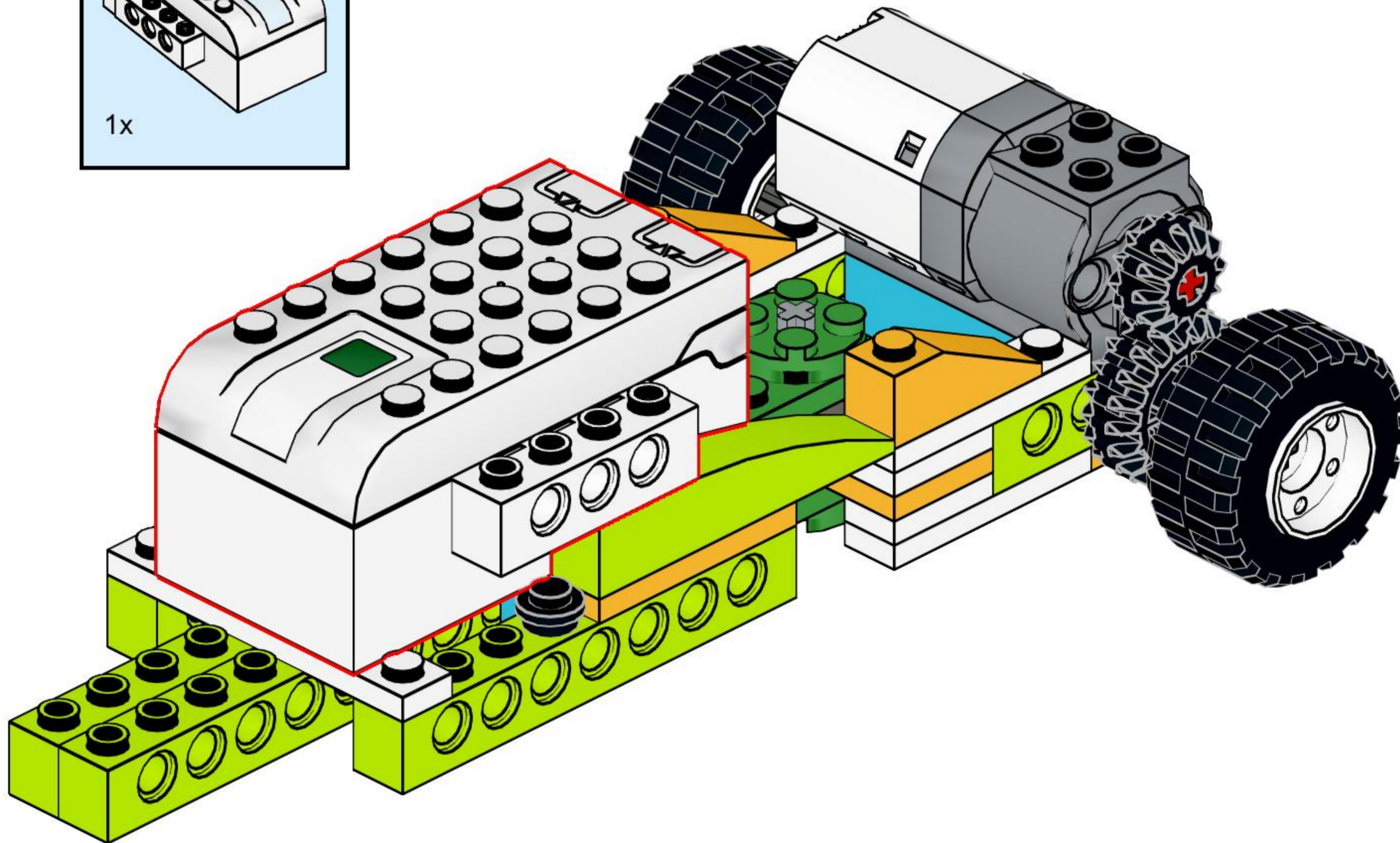
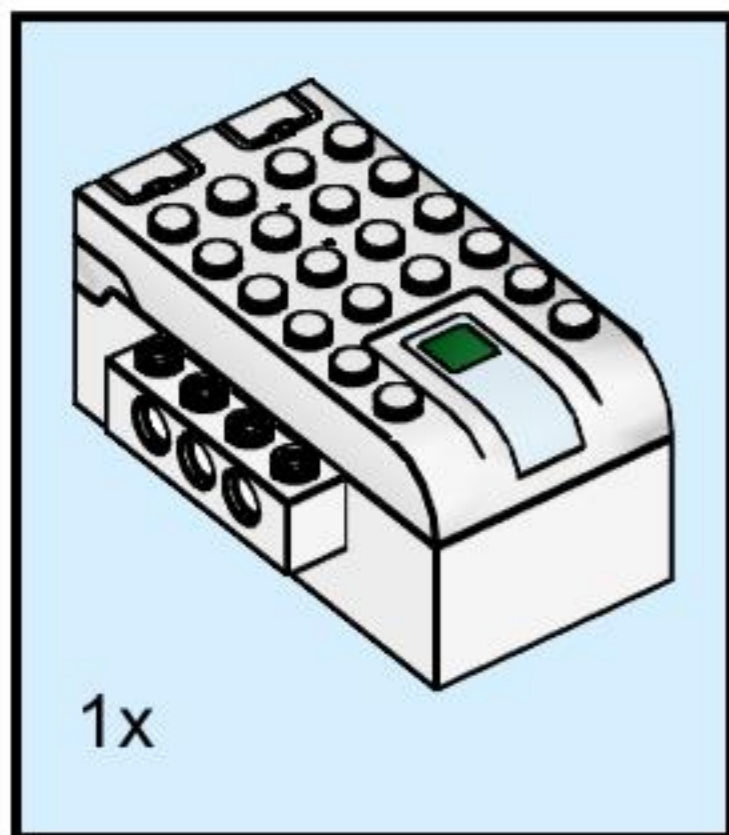
# 13



# 14

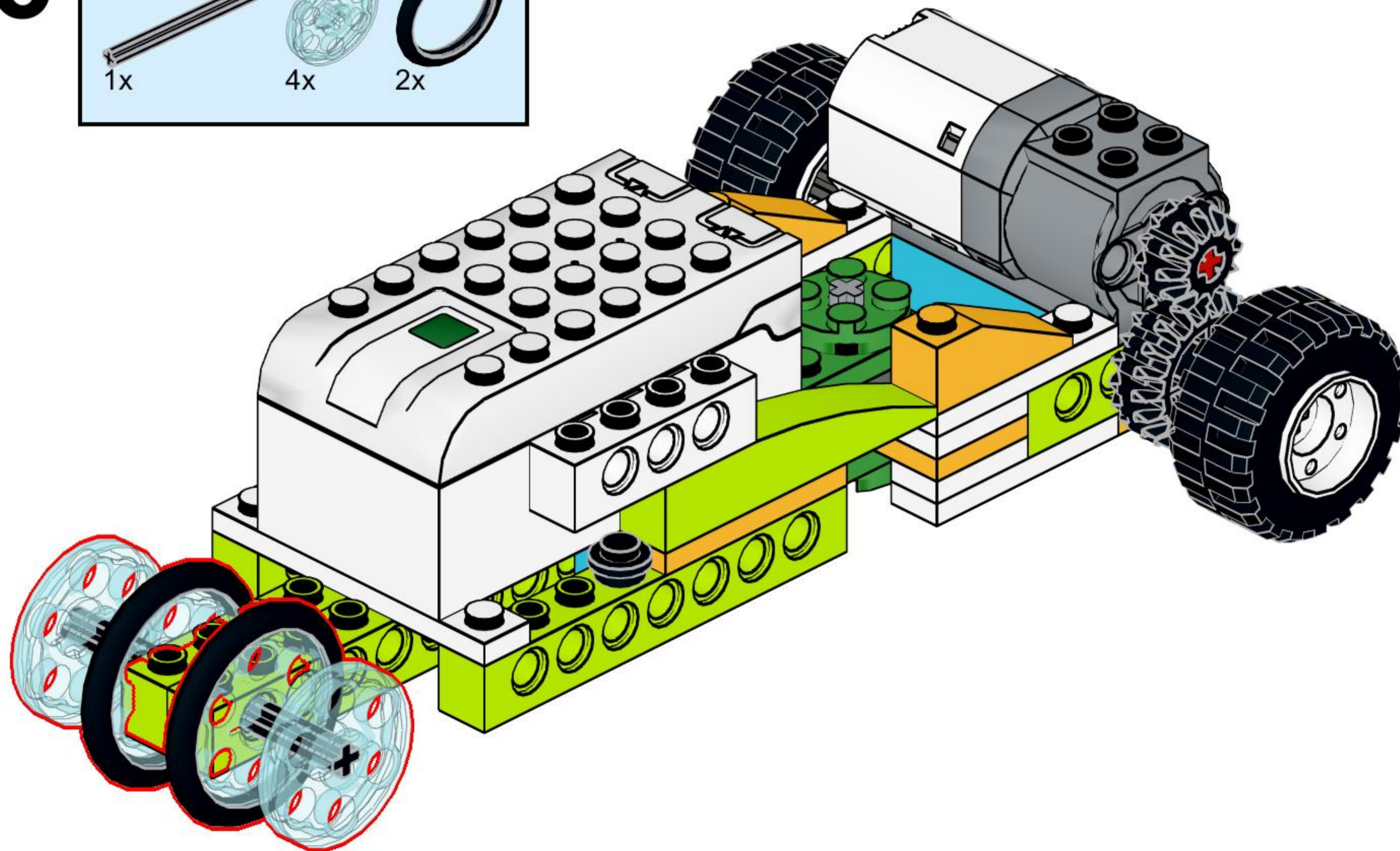
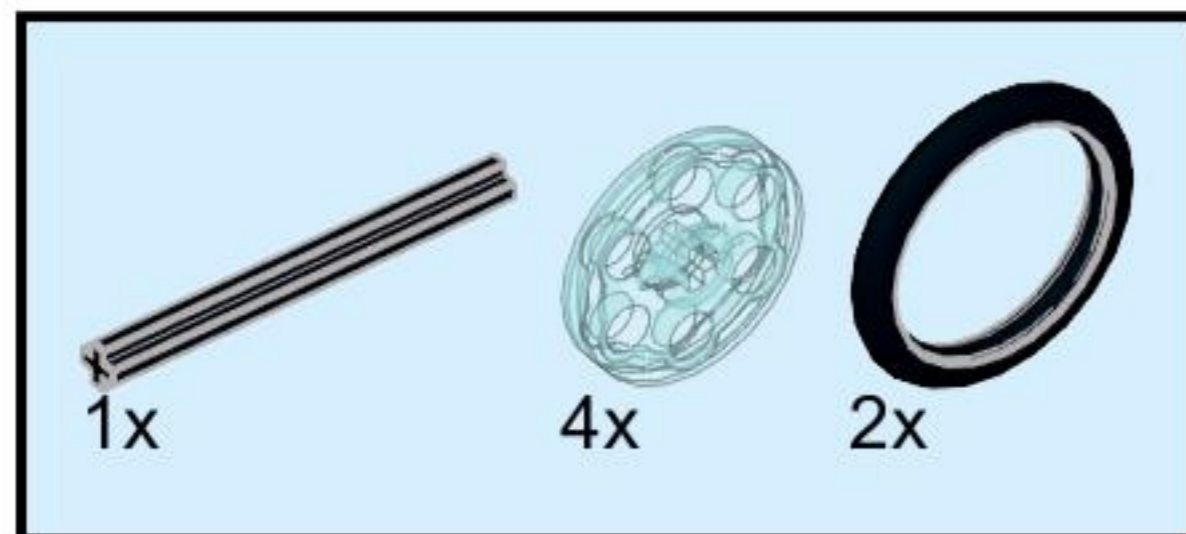


# 15

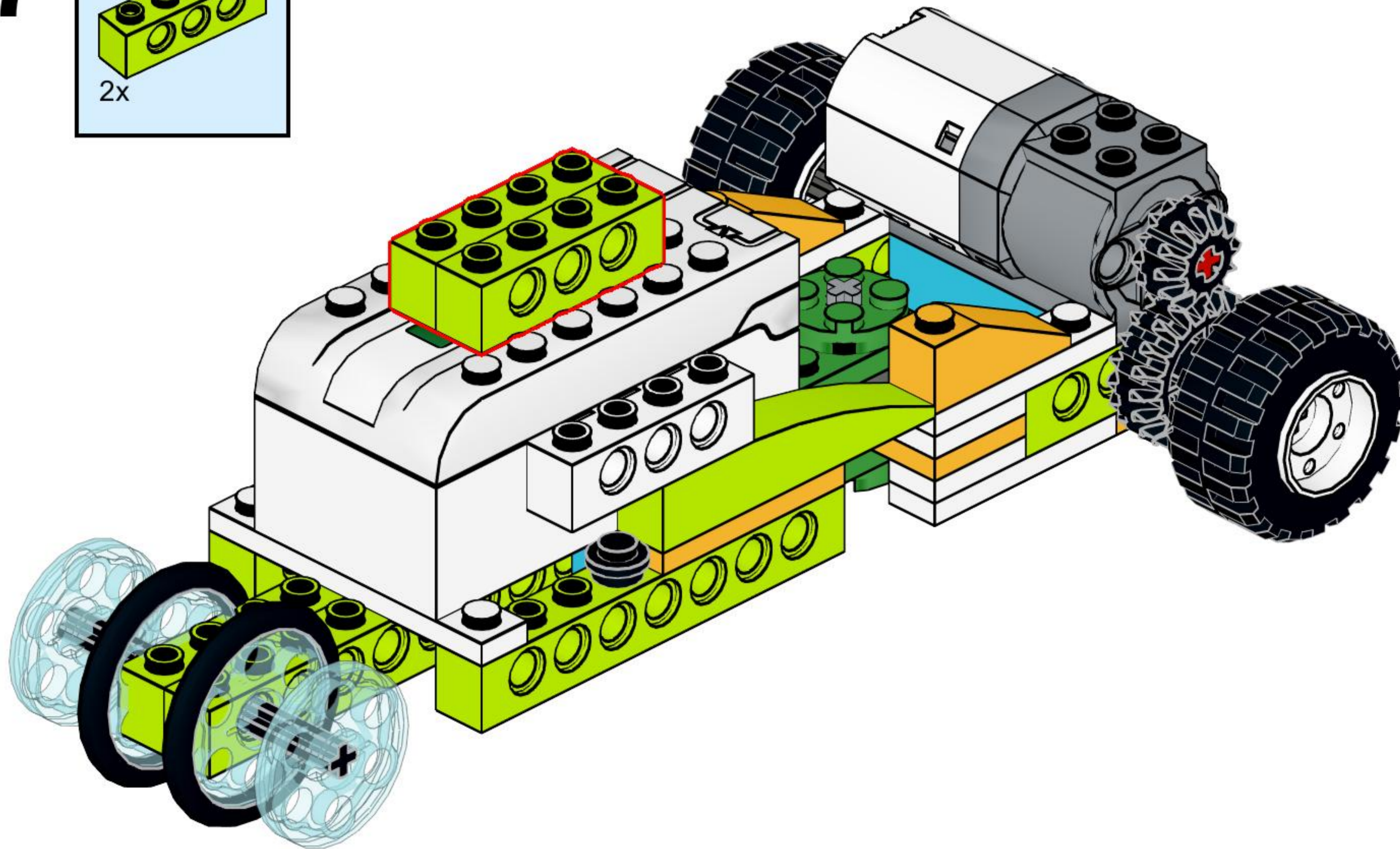
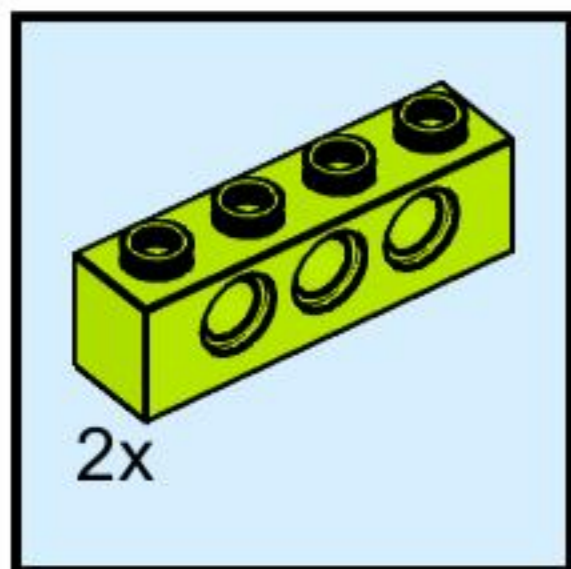




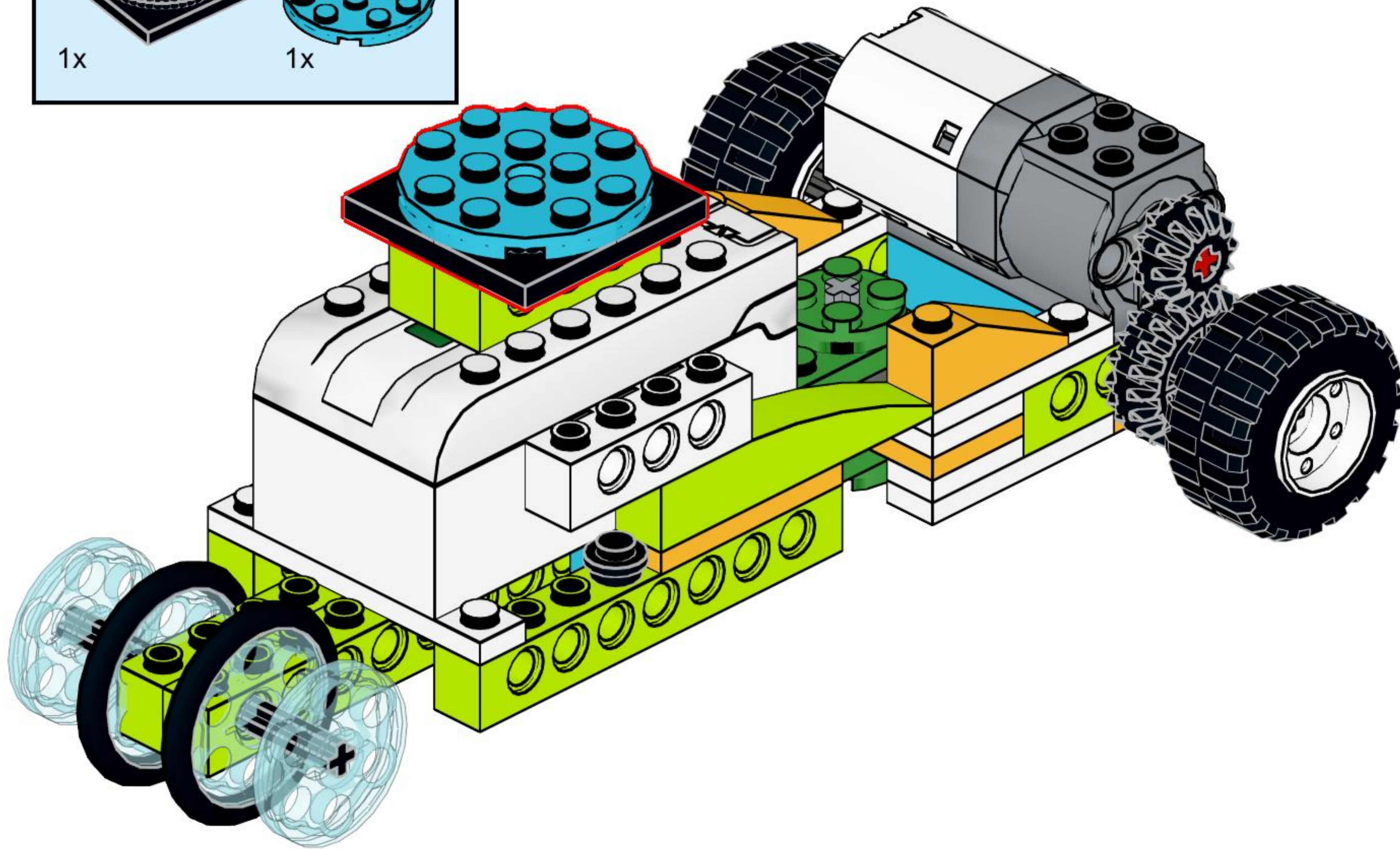
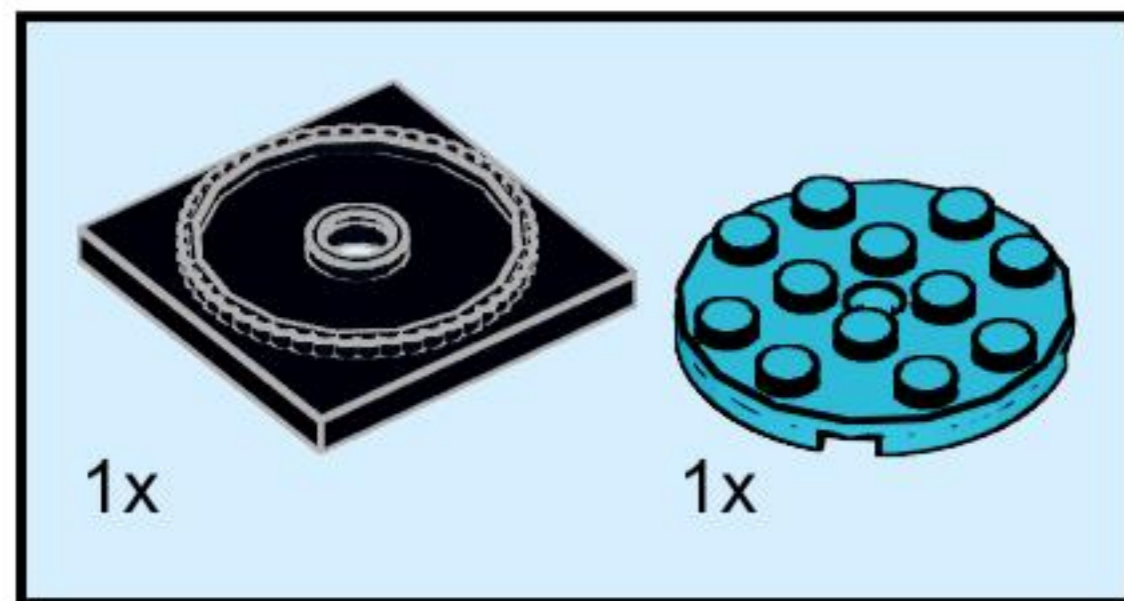
# 16



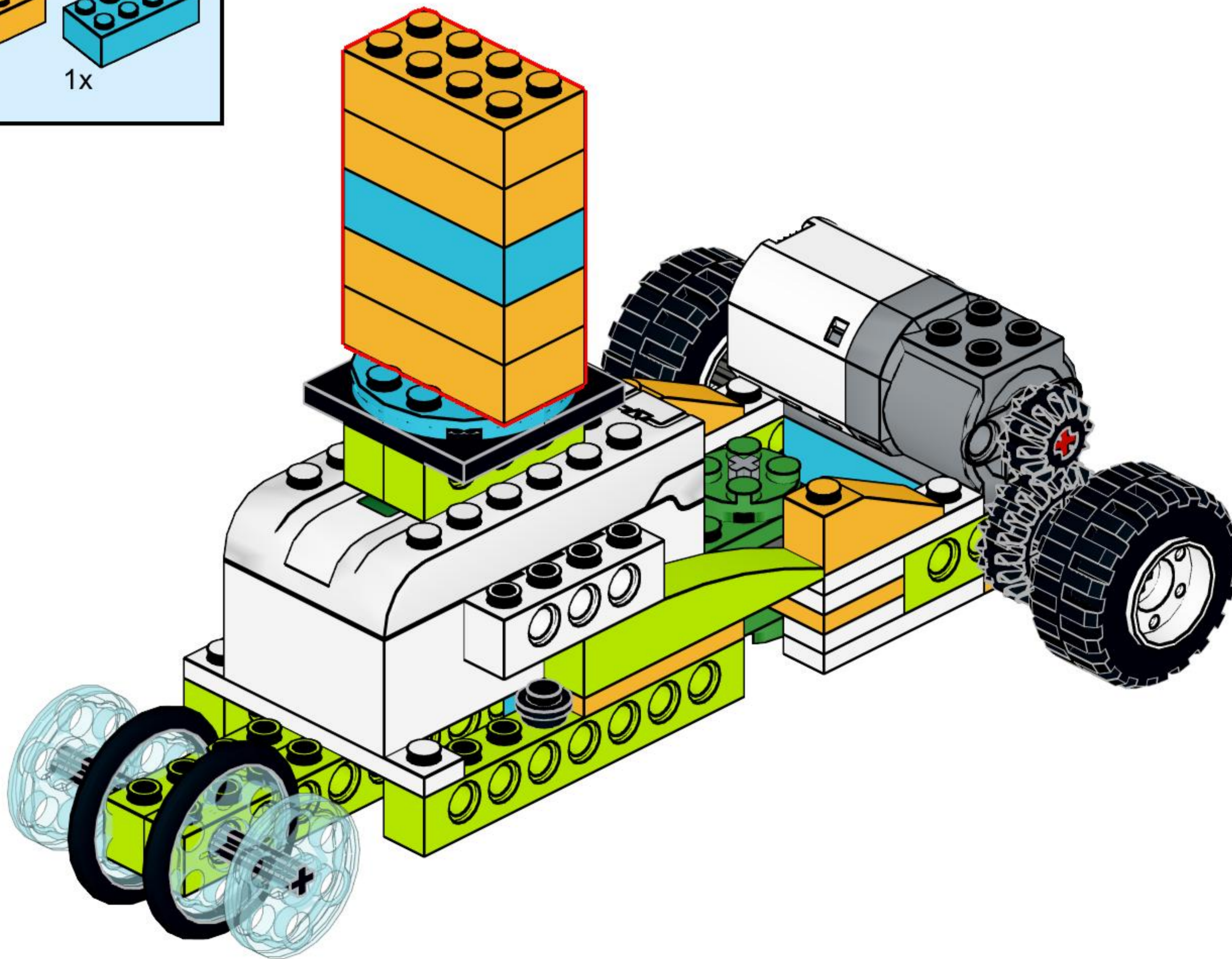
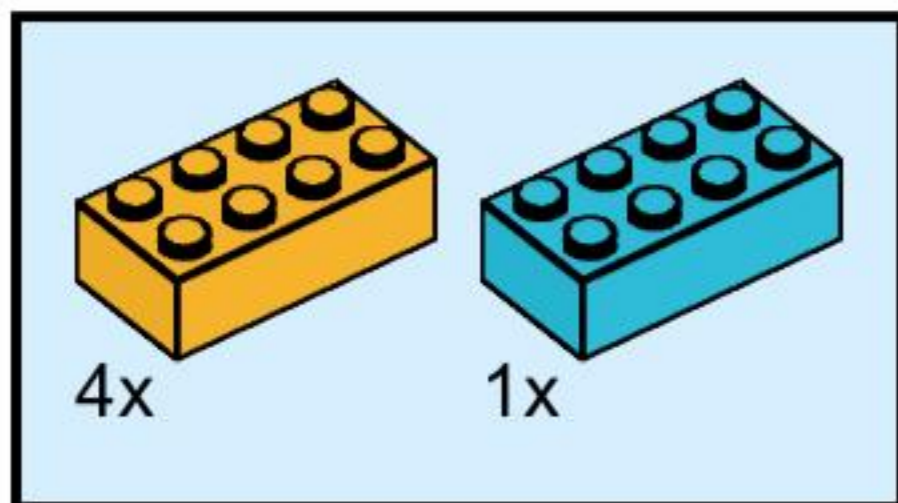
# 17



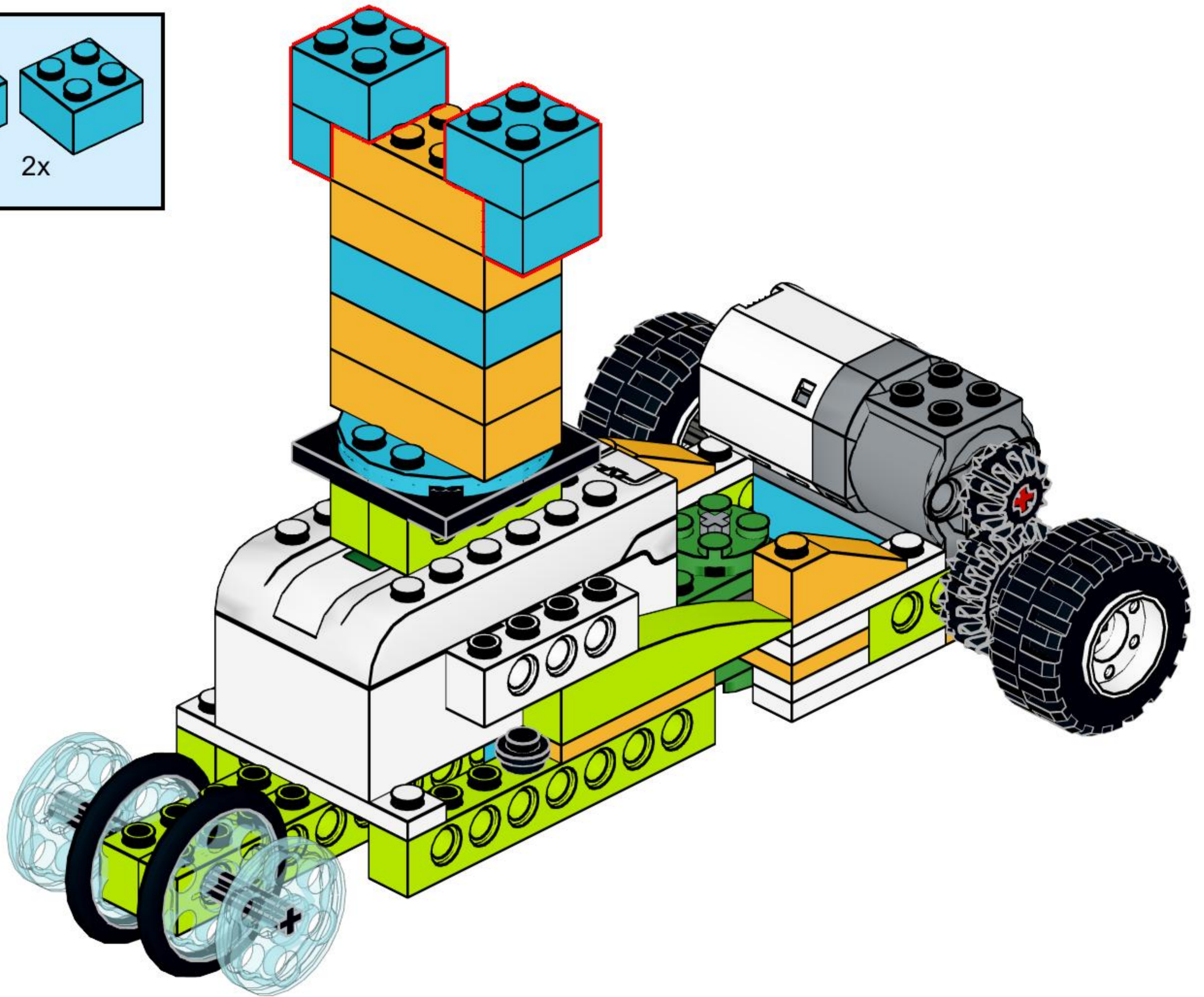
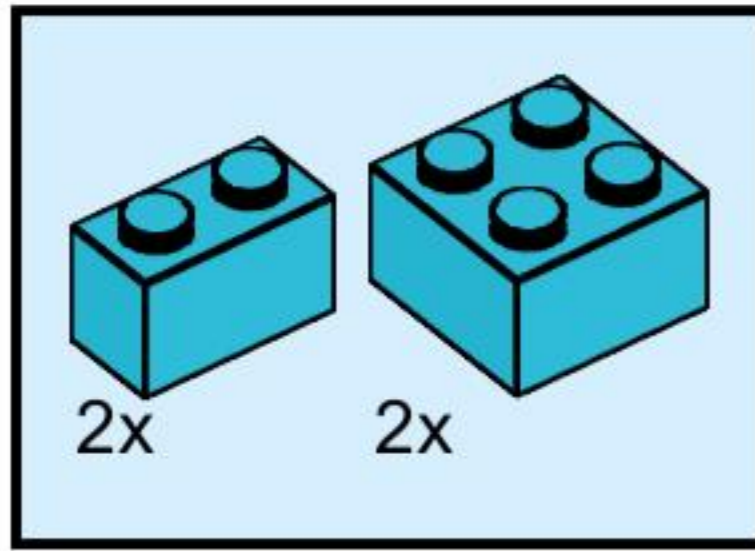
# 18



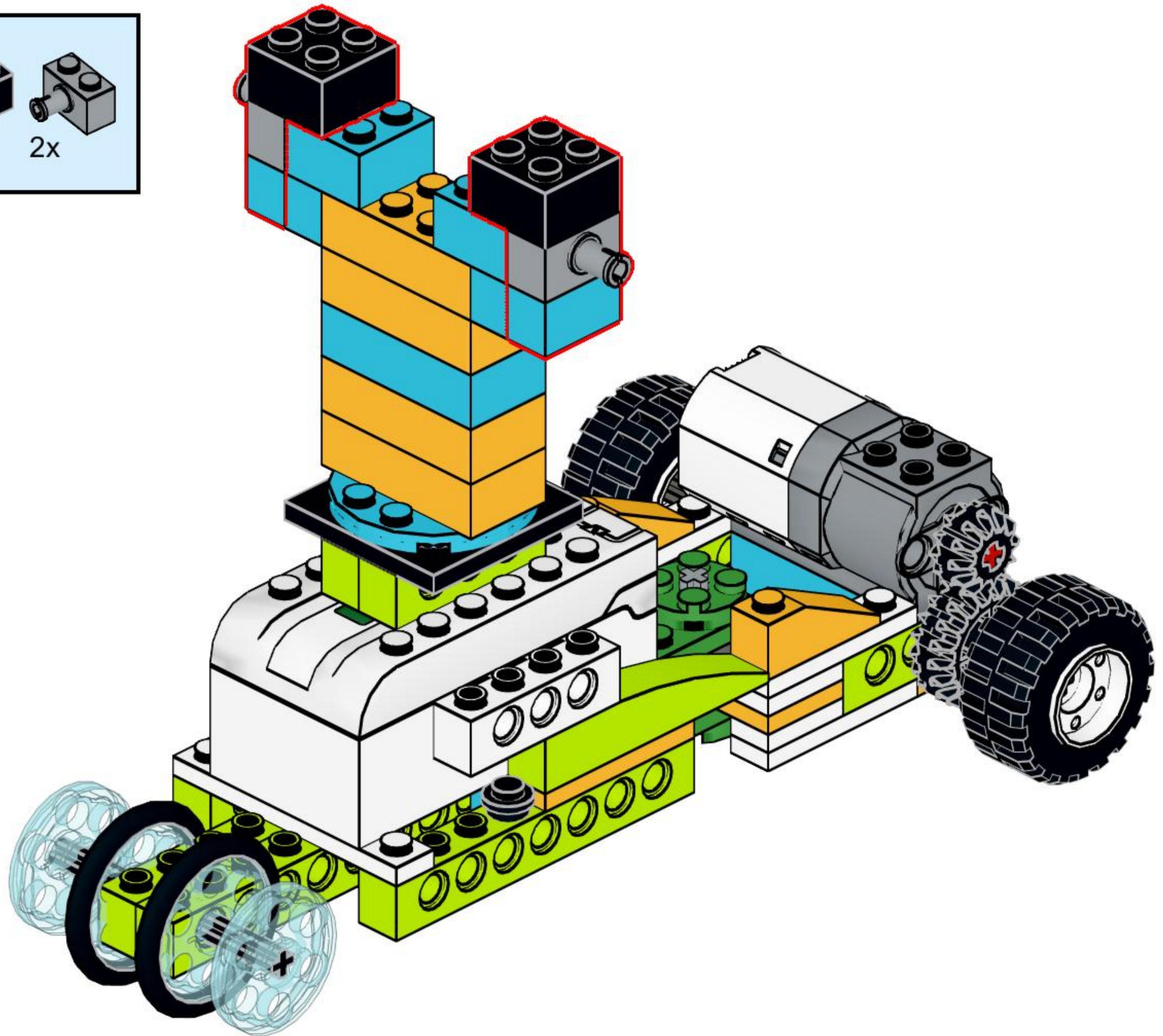
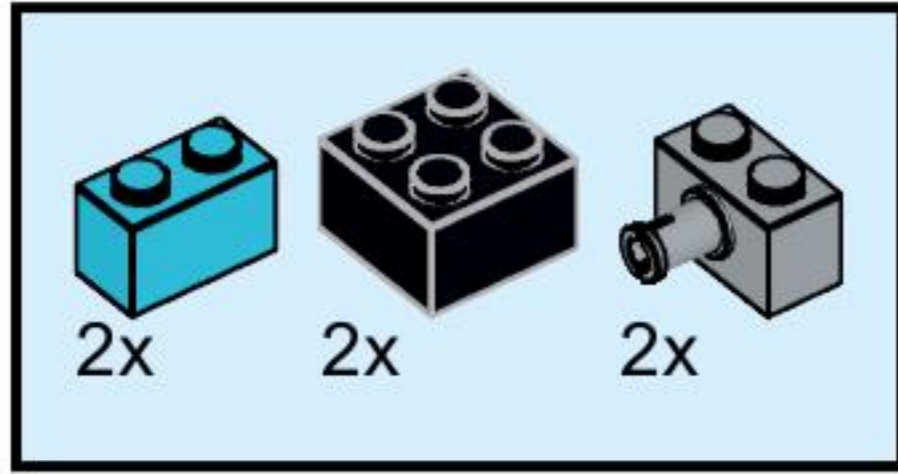
# 19



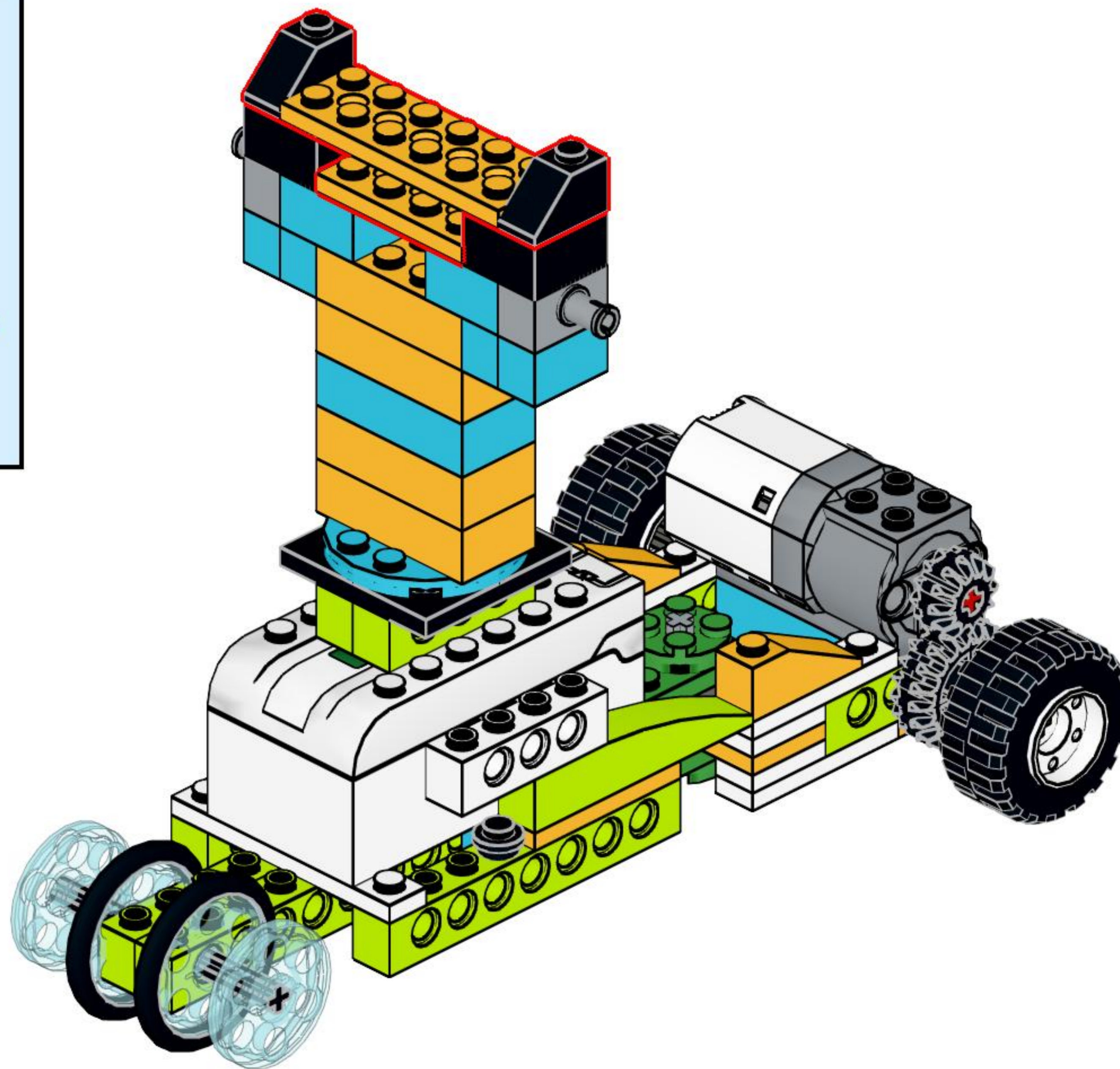
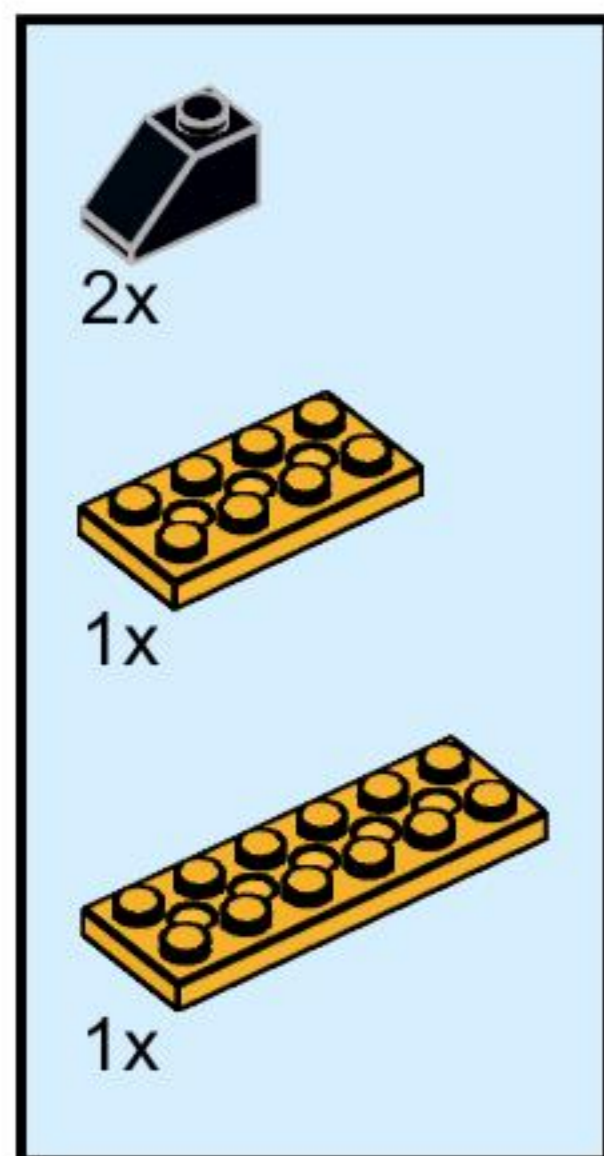
# 20



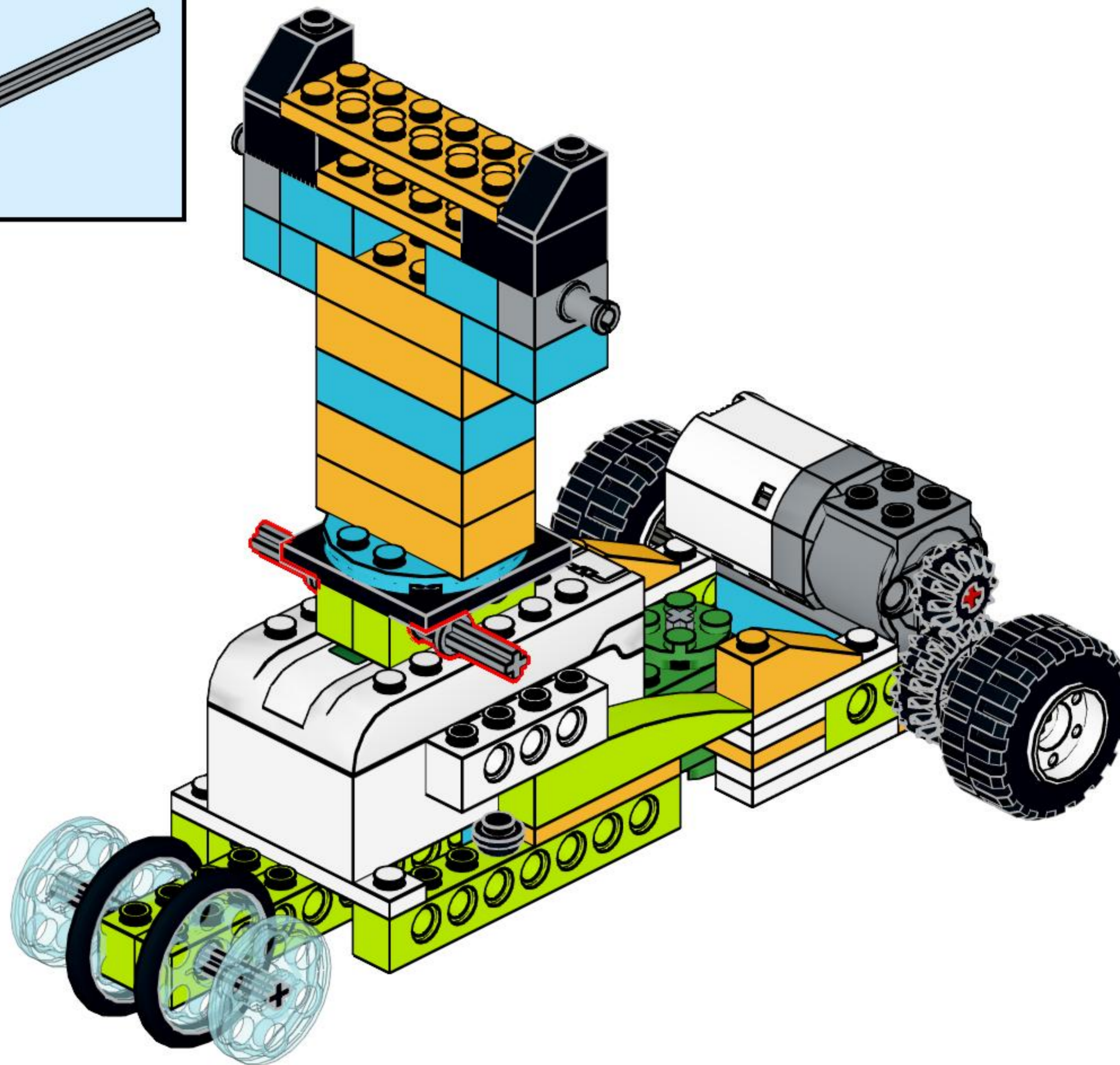
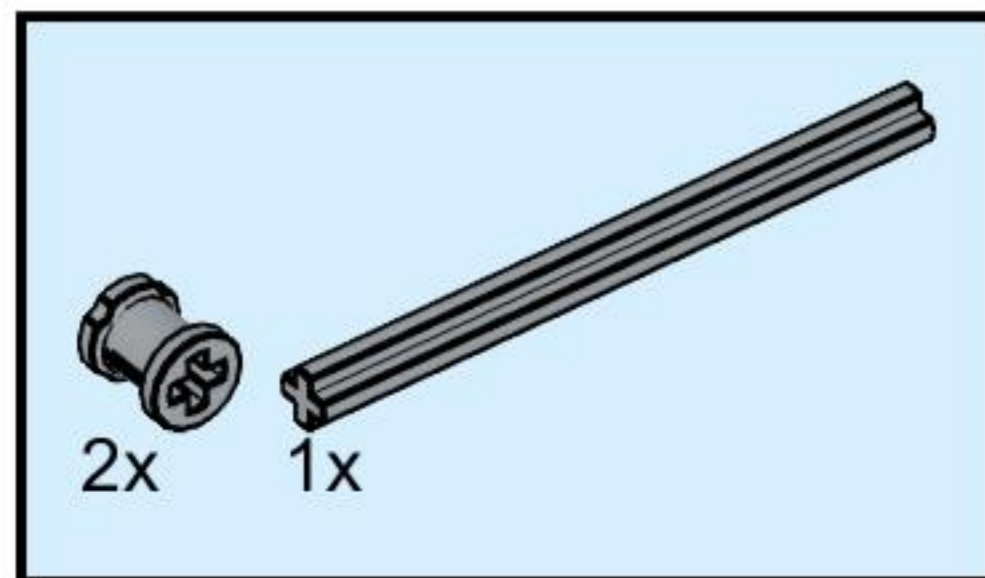
# 21



# 22

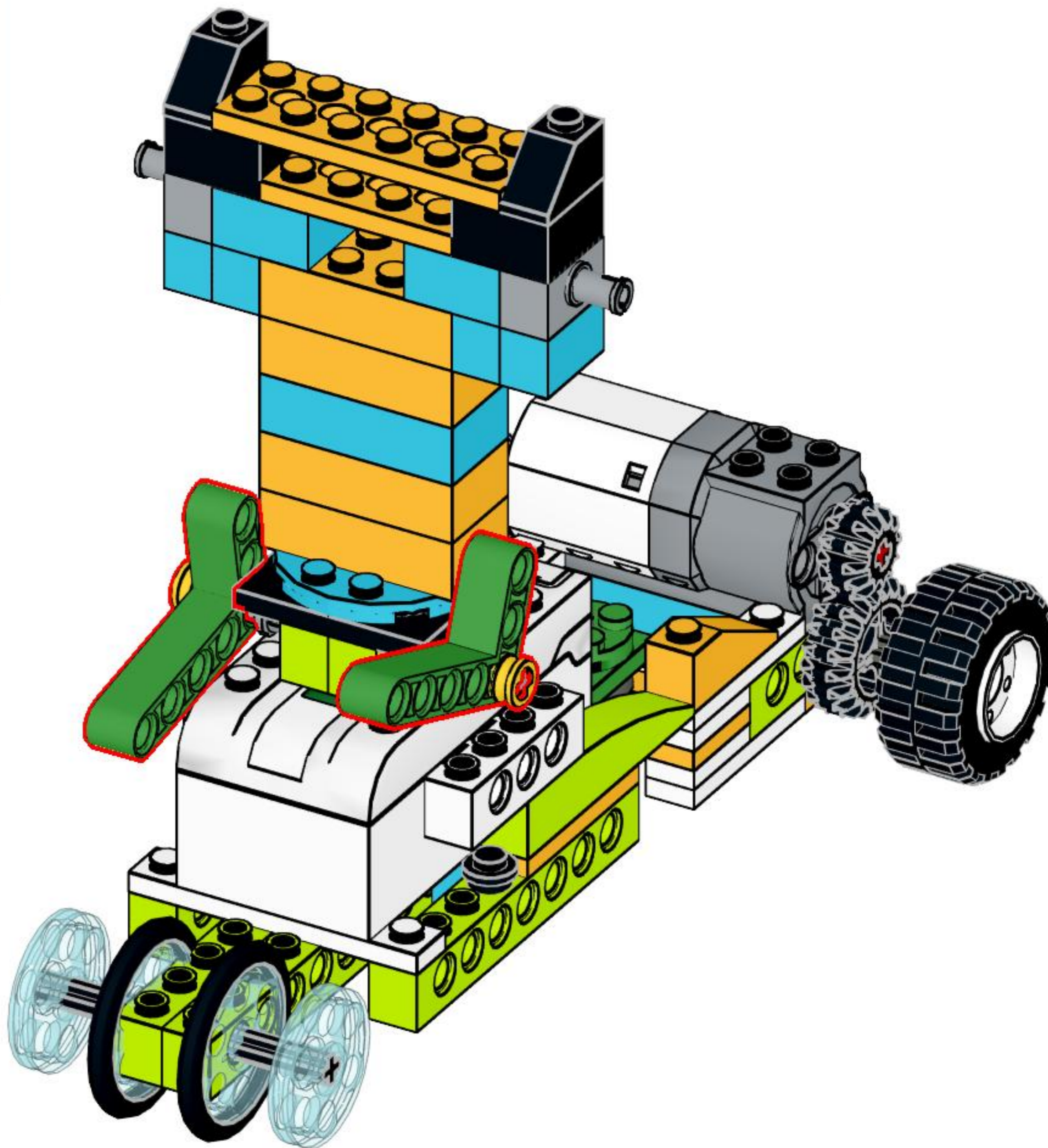
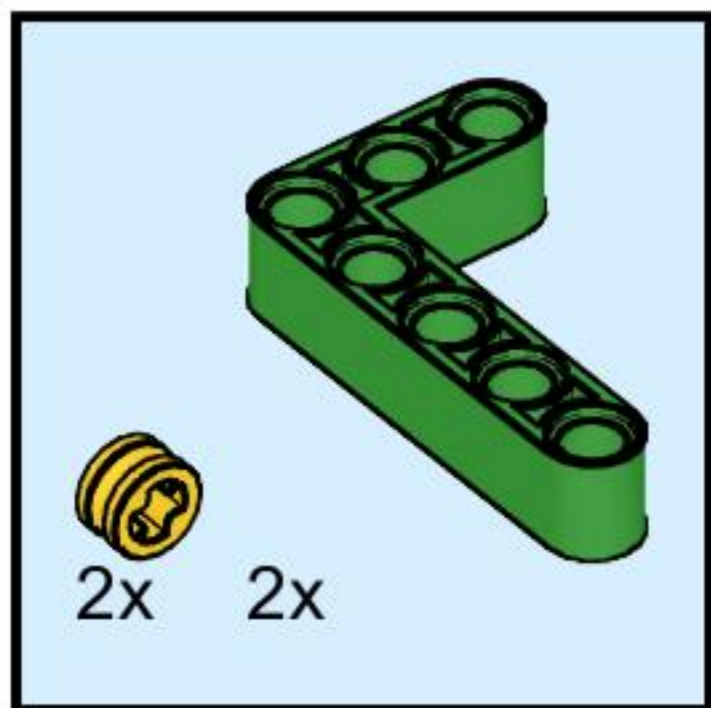


# 23

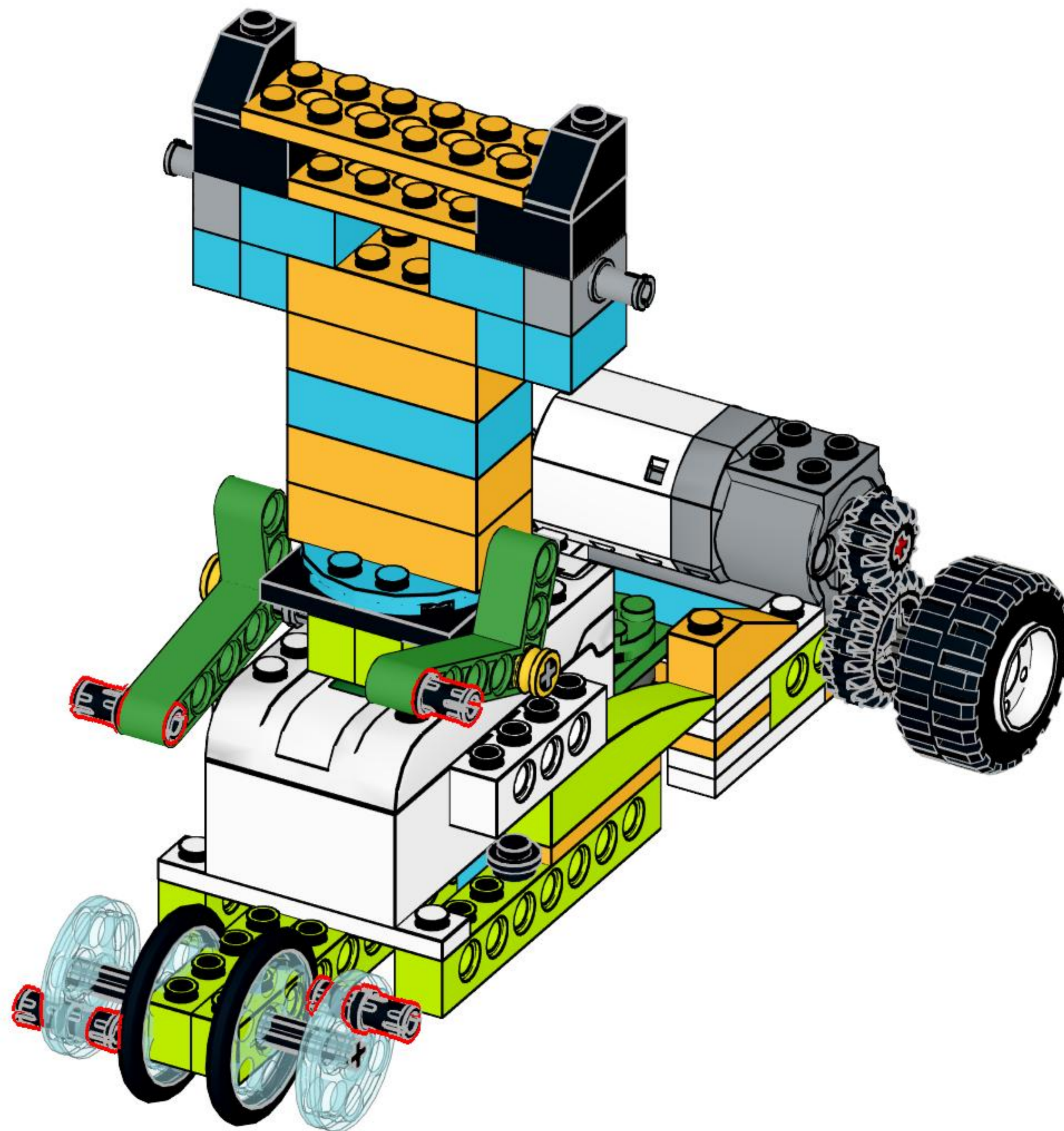




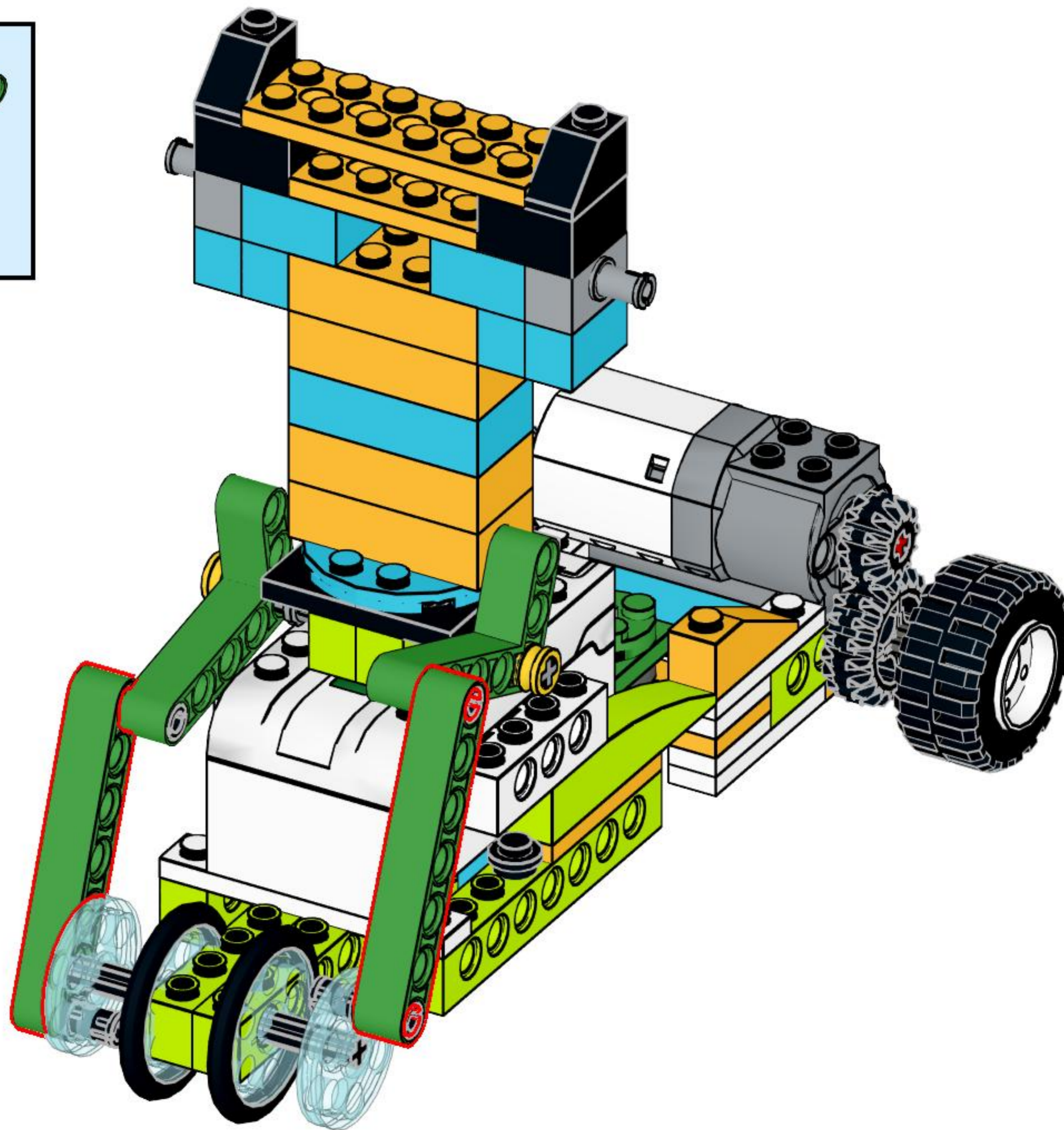
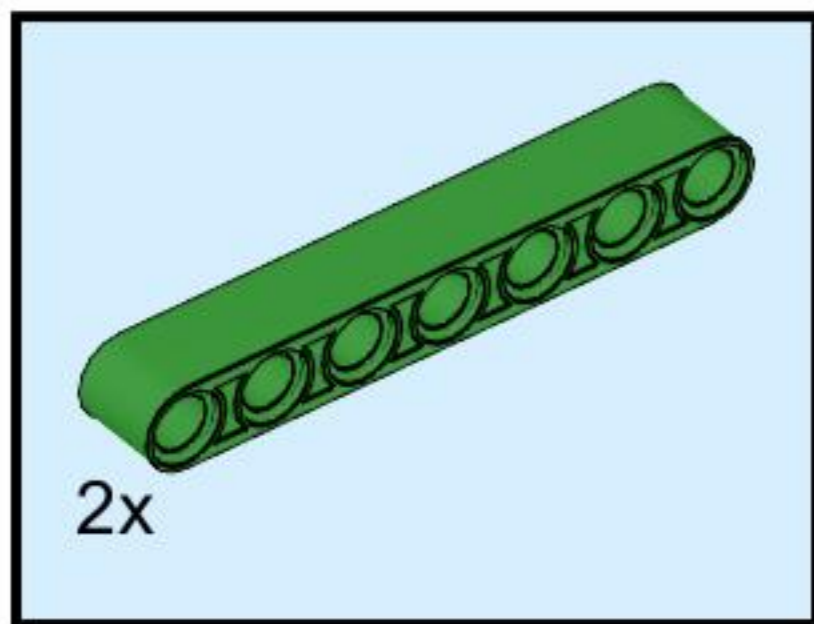
# 24



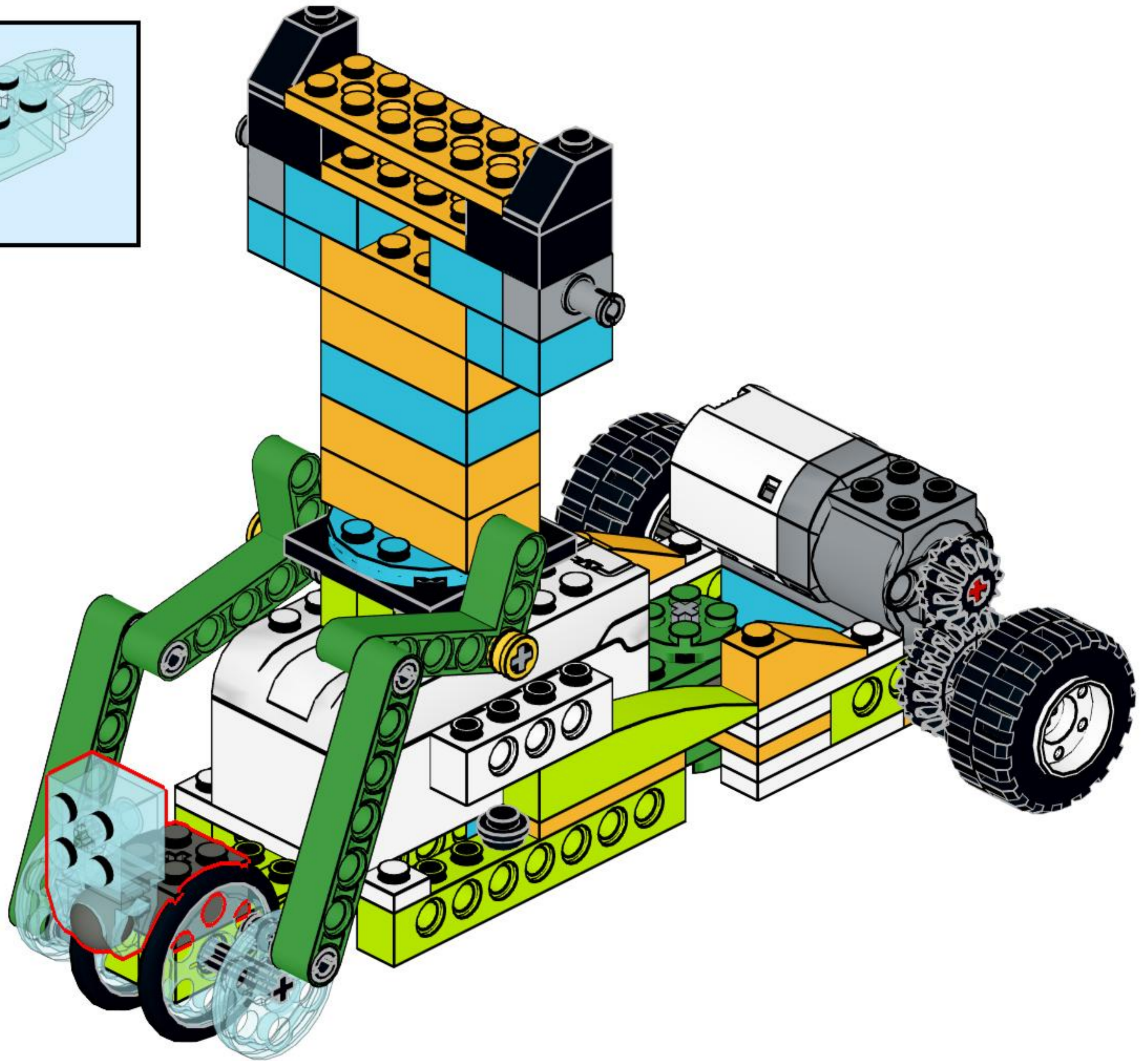
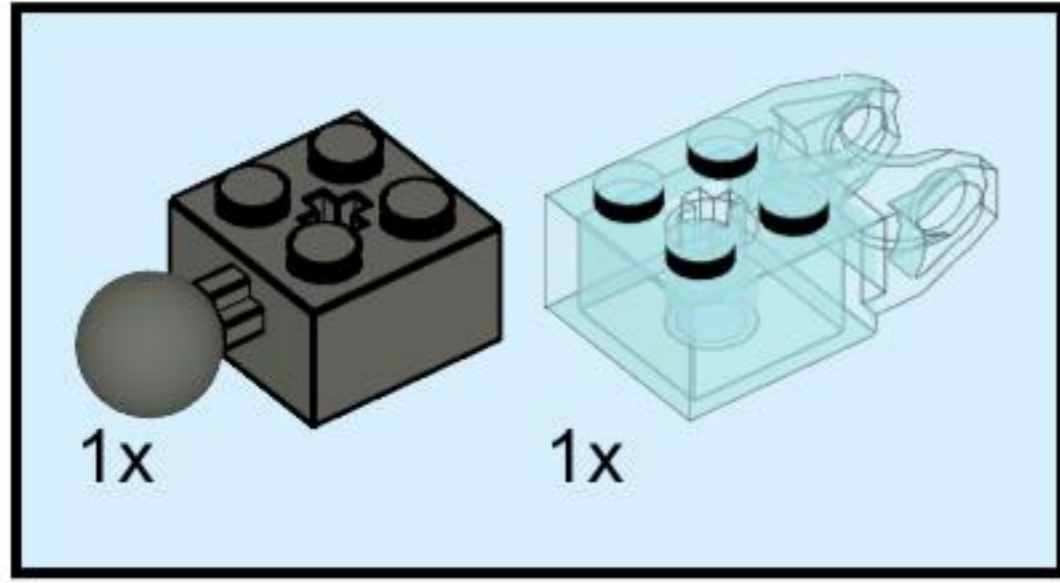
# 25



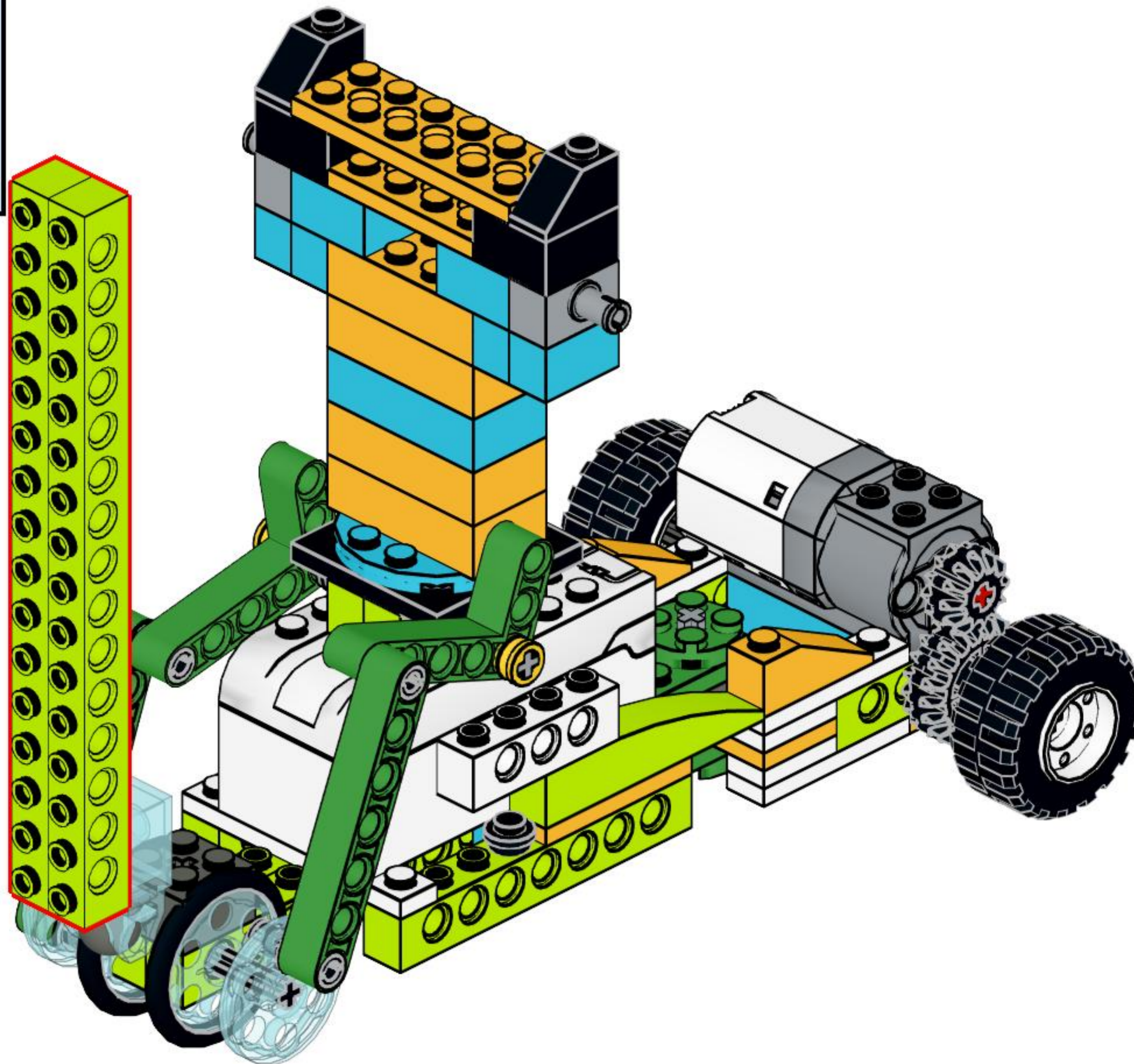
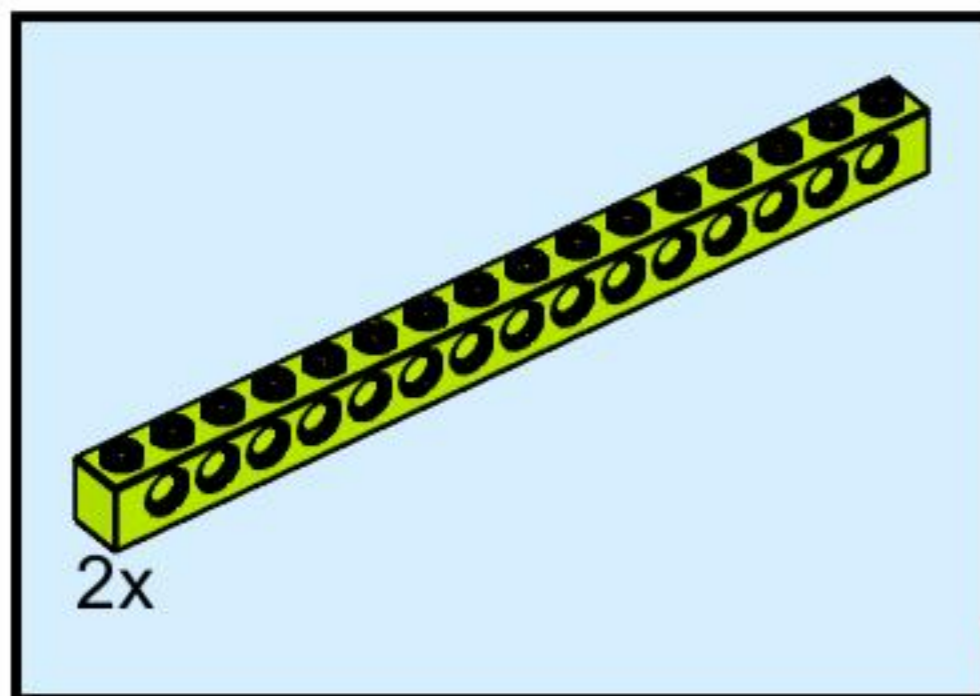
# 26



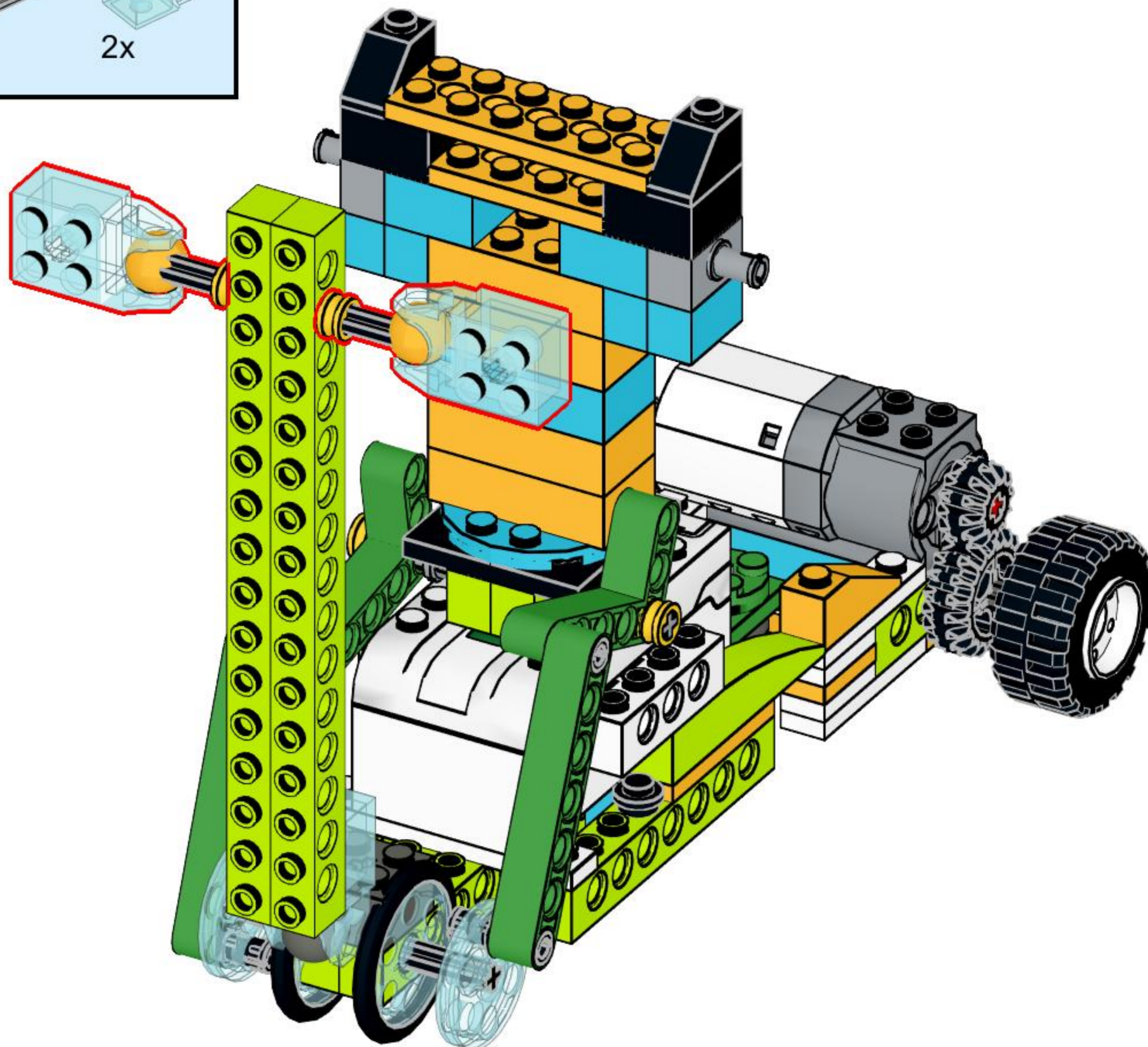
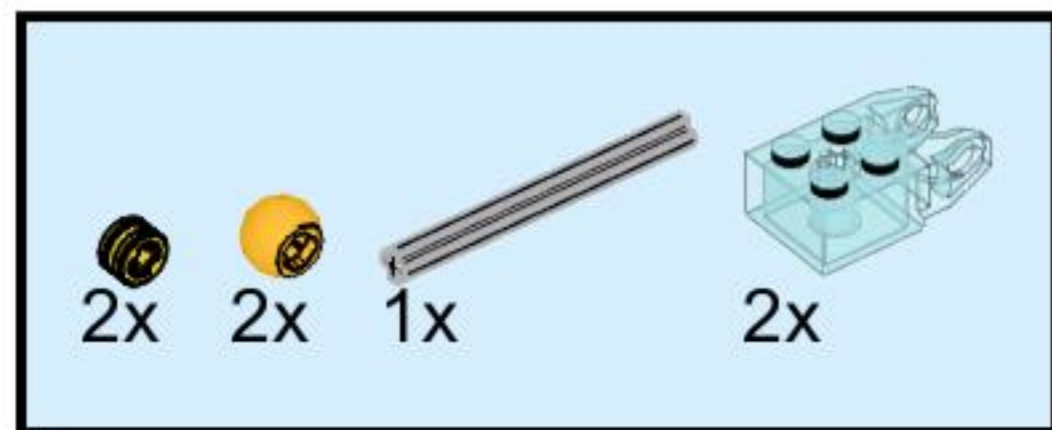
# 27



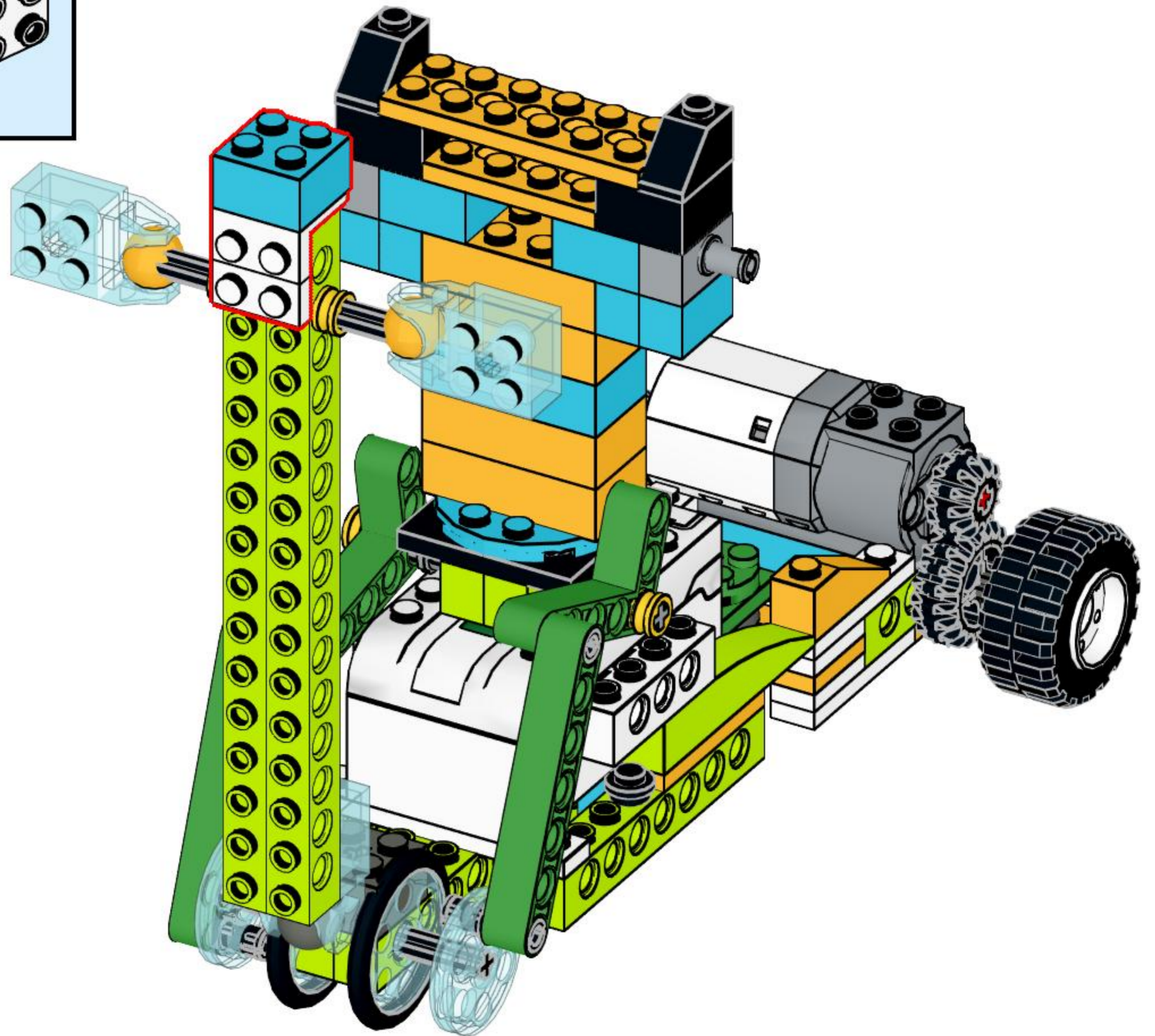
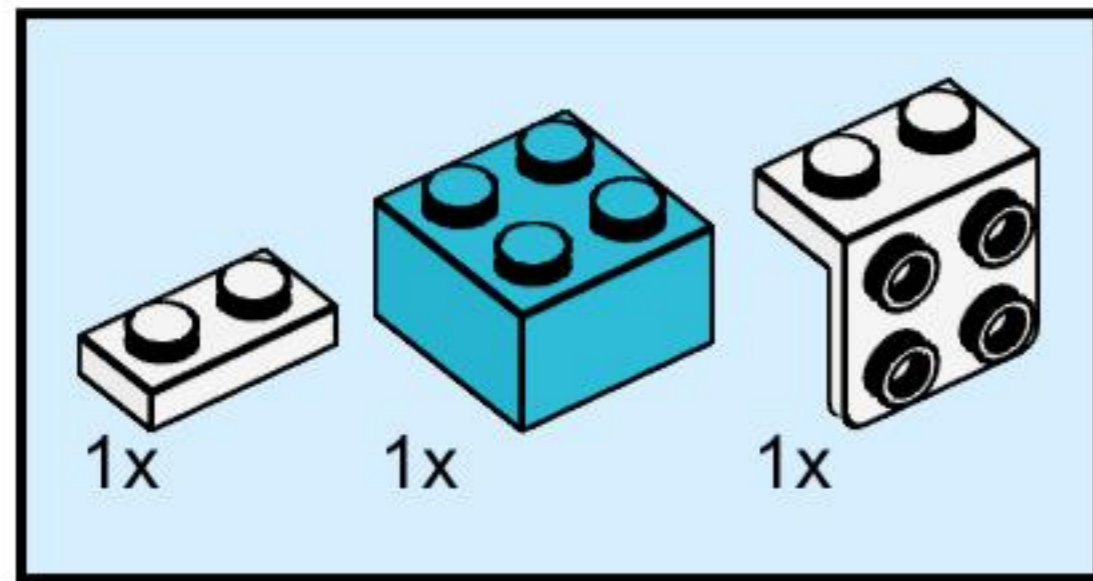
# 28



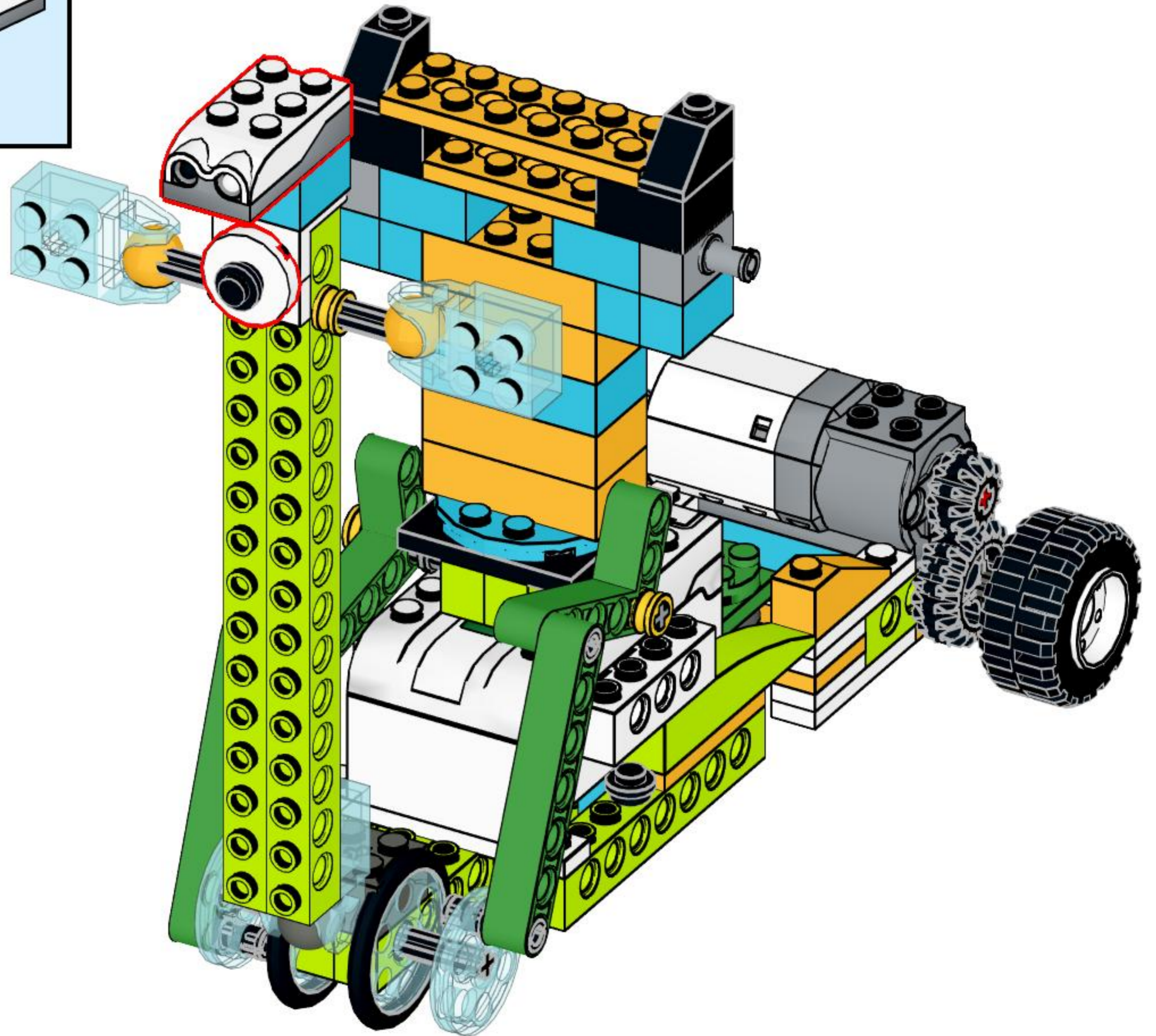
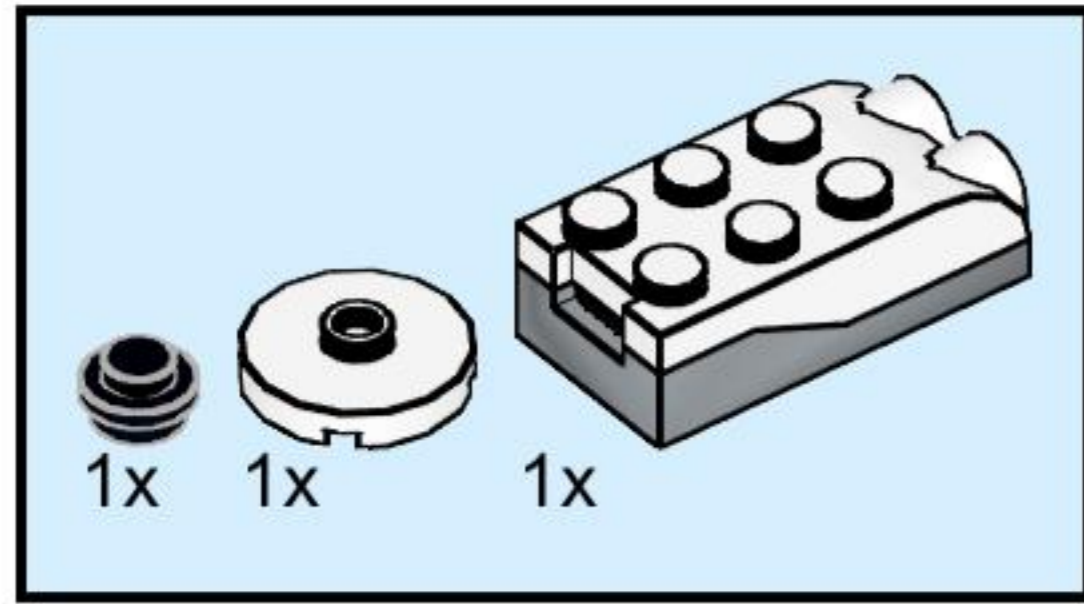
# 29



# 30

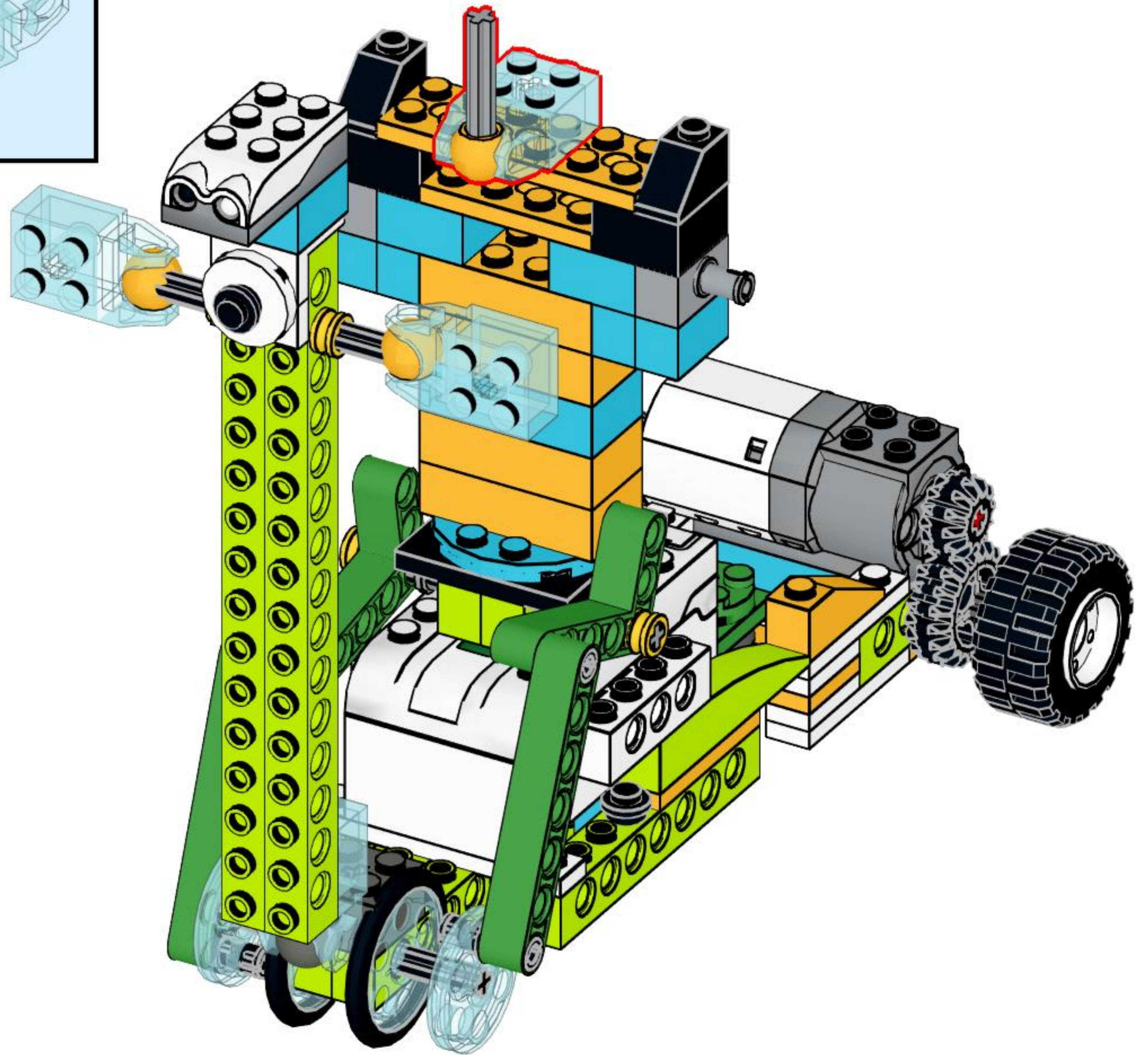
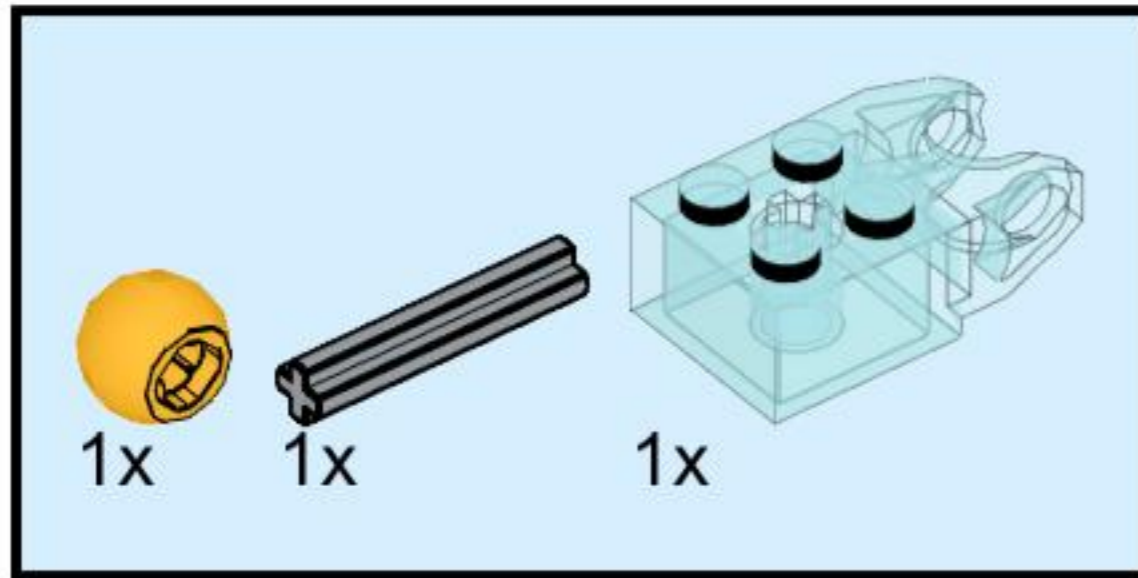


# 31

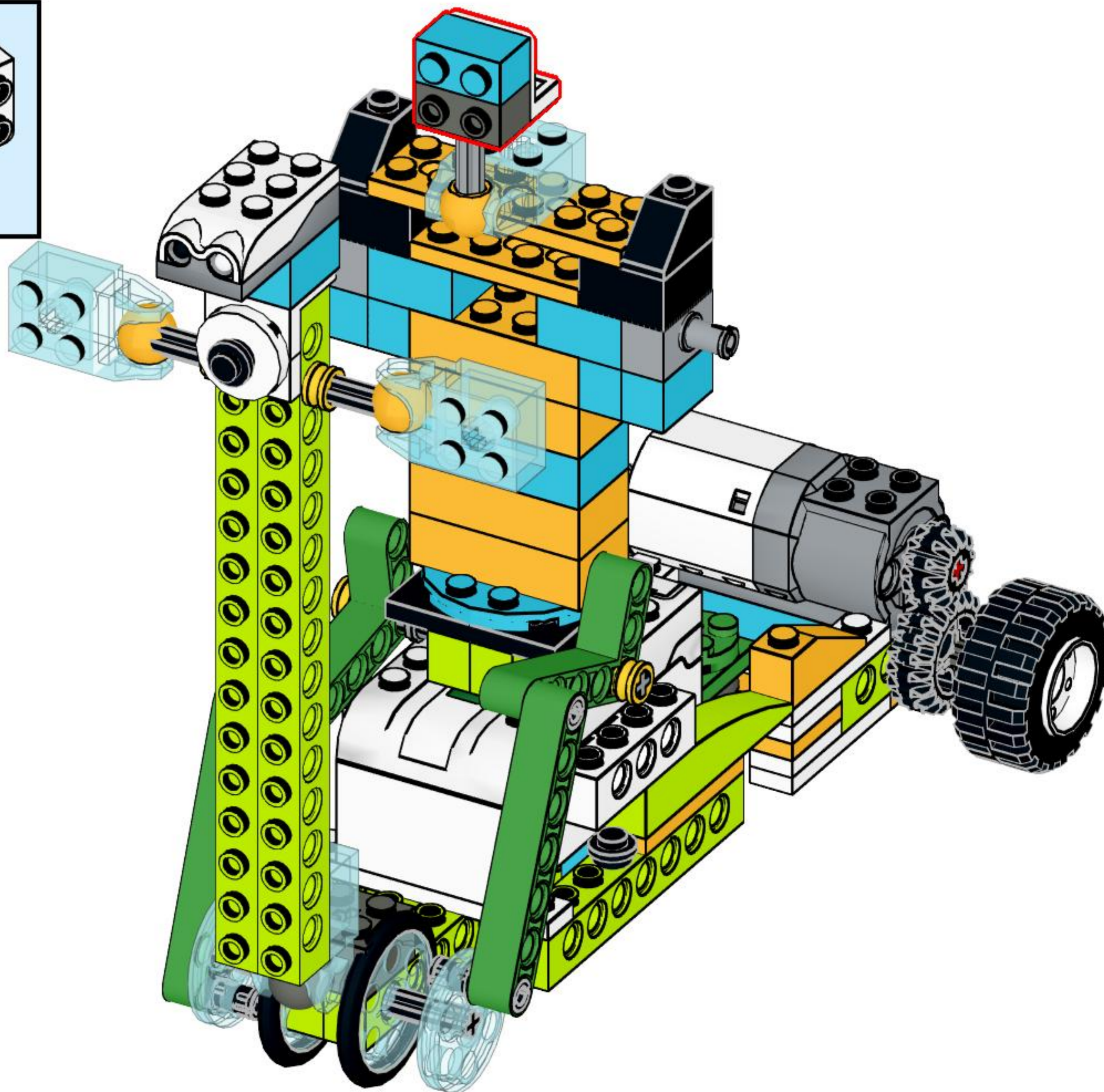
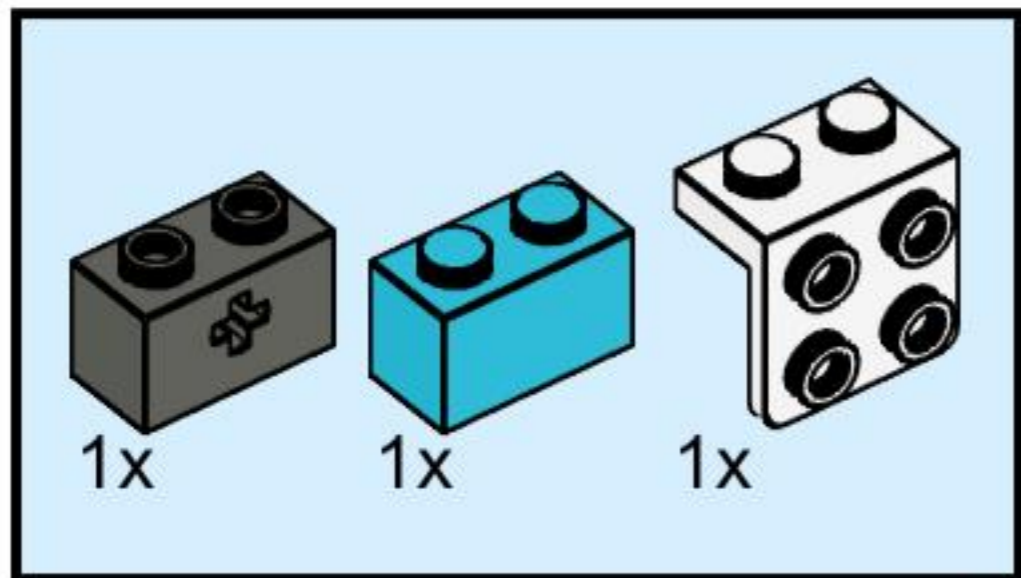




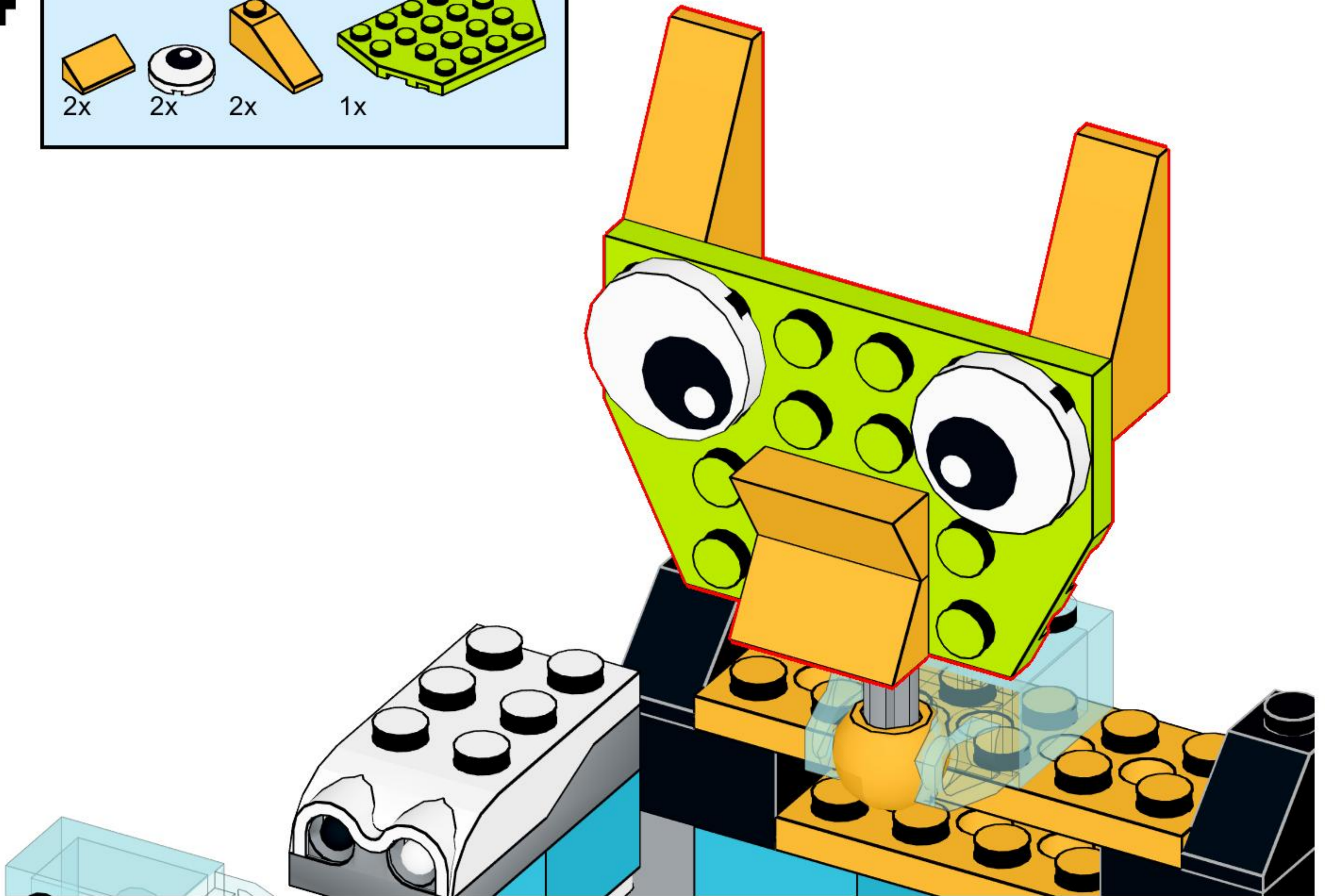
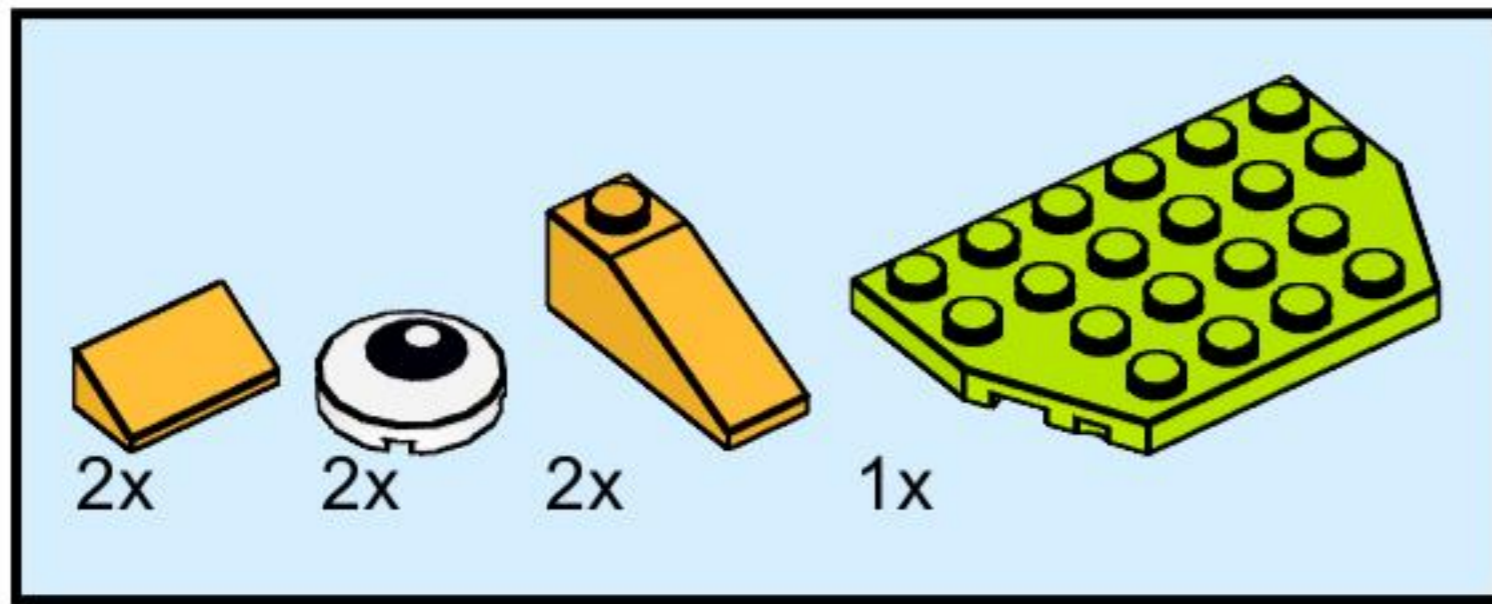
# 32



# 33



# 34





# Obstacle avoidance program

